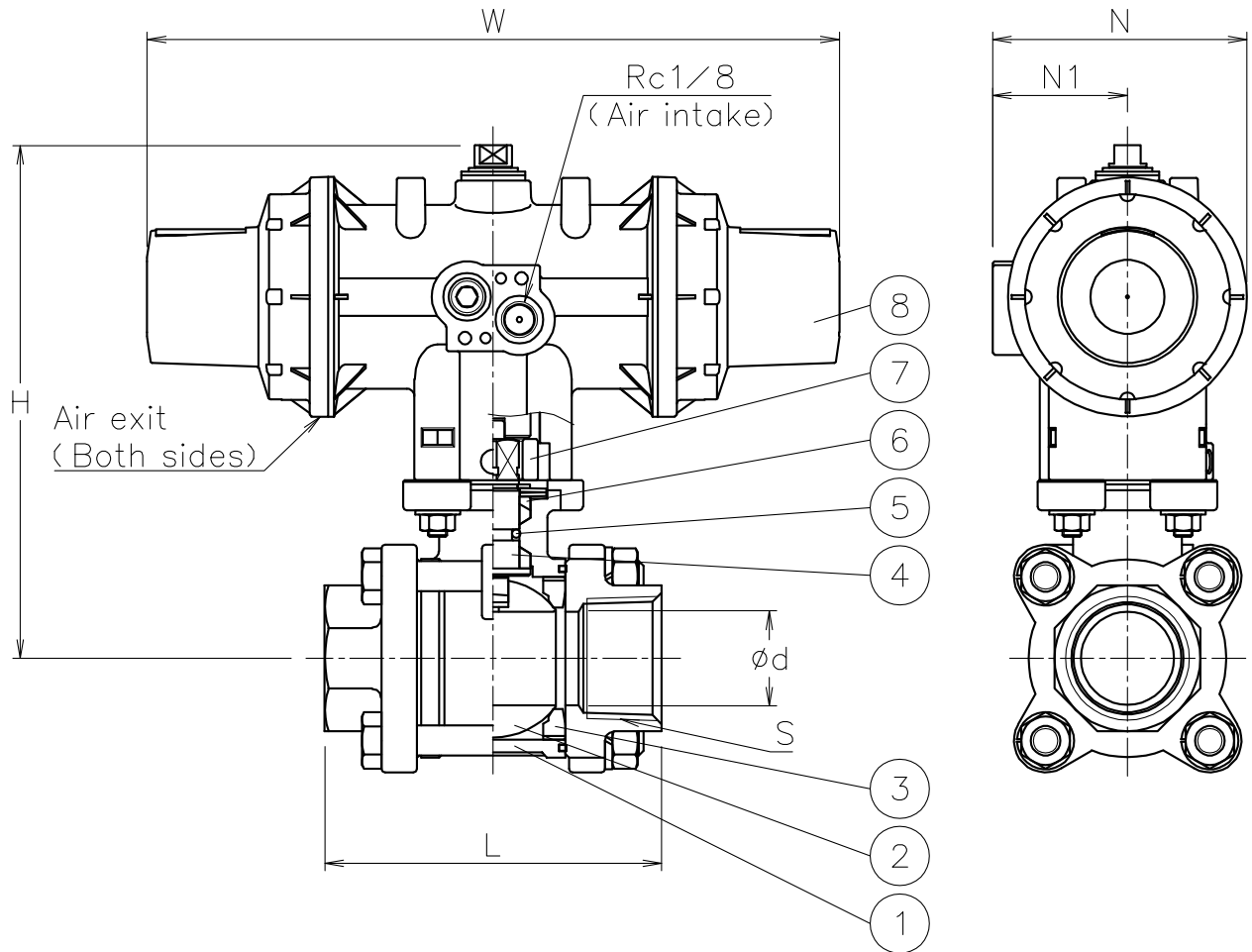



Valve DN	S	d	L	W	N	N1	H	Weight (kg)	Actuator		Sizing code
10 A	Rc 3/8	13	60	185	68	36	129	1.3	PSO-04D	PSC-04D	0
15 A	Rc 1/2	15	75	185	68	36	129	1.3	PSO-04D	PSC-04D	0
20 A	Rc 3/4	20	80	185	68	36	132	1.5	PSO-04D	PSC-04D	0
25 A	Rc 1	25	90	185	68	36	137	1.8	PSO-04D	PSC-04D	0
32 A	Rc1 1/4	32	110	247	82	44	151	3.1	PSO-05D	PSC-05D	0
40 A	Rc1 1/2	38	120	288	95	48	159	4.3	PSO-05W	PSC-05W	0
50 A	Rc 2	50	140	288	95	48	168	6	PSO-05W	PSC-05W	0



NOTE

- Air supply : 0.4~0.5 Mpa max 0.7 Mpa
- Actuator operation
 - PSO serie
 - Air to intake port : OPEN
 - Spring return : SHUT
 - PSC serie
 - Air to intake port : SHUT
 - Spring return : OPEN
- Coupling OD must be less than $\phi 14.5$

8	Actuator	PPS body	1	PSO/C
7	Joint	SUS304	1	
6	Packing	R-PTFE	1	
5	O-ring	FKM	1	
4	Stem	SUS316	1	
3	Seat	R-PTFE	2	
2	Ball	SCS14A	1	
1	Body	SCS14A	1	
No	DESCRIPTION	MATERIALS	REQ'D	REMARKS

			APPR'D	K.Y	Valve DN: 10~50 A TITLE Threaded End Rc (single-acting type) MS type pneumatic actuated 3 piece ball valve MODEL PSOMS905UUP PSCMS905UUP SCALE NON DWG No. MS-905UUP-DA1-EN						
			CHK'D	K.Y							
			DESIGN								
			DRAWN	T.A							
MARK	DATE	BY	DATE	'22-12-08							
REVISIONS			 NIPPON VALVE CONTROLS, INC.								
MV-2987											