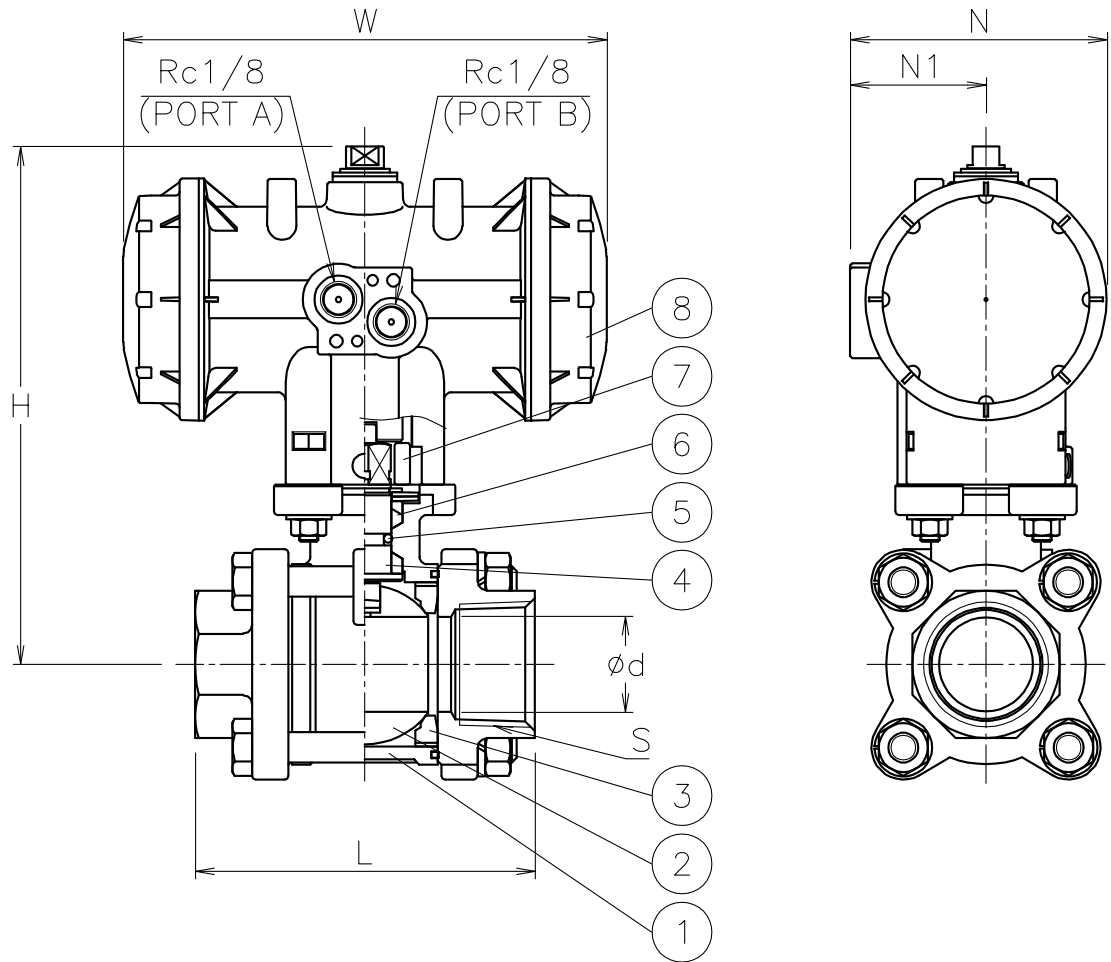



Size [mm]	S	d	L	W	N	N1	H	Weight [kg]	Actuator	Sizing code
10	Rc 3/8	13	60	108	57	30	112	1	PND-03D	0
15	Rc 1/2	15	75	108	57	30	112	1	PND-03D	0
20	Rc 3/4	20	80	108	57	30	116	1.2	PND-03D	0
				128	68	36	132	1.4	PND-04D	2
25	Rc 1	25	90	128	68	36	137	1.8	PND-04D	0
				157	82	44	145	2	PND-05D	2
32	Rc1 1/4	32	110	128	68	36	143	2.5	PND-04D	0
				157	82	44	151	2.8	PND-05D	2
40	Rc1 1/2	38	120	157	82	44	159	3.4	PND-05D	0
50	Rc 2	50	140	157	82	44	168	5	PND-05D	0



**NOTE**

- 1) Air supply: 0.4 to 0.5 Mpa. Max 0.7 Mpa.
  - 2) Actuator operation  
Air to port A: SHUT.  
Air to port B: OPEN.
- (a) Coupling OD must be less than 14.5 mm.

8	Actuator	PPS body	1	PND (a)
7	Joint	SUS304	1	
6	Packing	R-PTFE	1	
5	O-ring	FKM	1	
4	Stem	SUS316	1	
3	Seat	R-PTFE	2	
2	Ball	SCS14A	1	
1	Body	SCS14A	1	
No	DESCRIPTION	MATERIALS	REQ'D	REMARKS

			APPR'D	K.Y	TITLE	Threaded End Rc (double-acting type) MS type pneumatic actuated 3 piece ball valve					
			CHK'D	K.Y							
			DESIGN		MODEL	PNDMS9*5UUP					
			DRAWN	T.A							
MARK	DATE	BY	DATE	'22-12-08	SCALE	NON	DWG No.	MS-9*5UUP-NA1-EN			
REVISIONS			 <b>NIPPON VALVE CONTROLS, INC.</b>								
MV-2987											