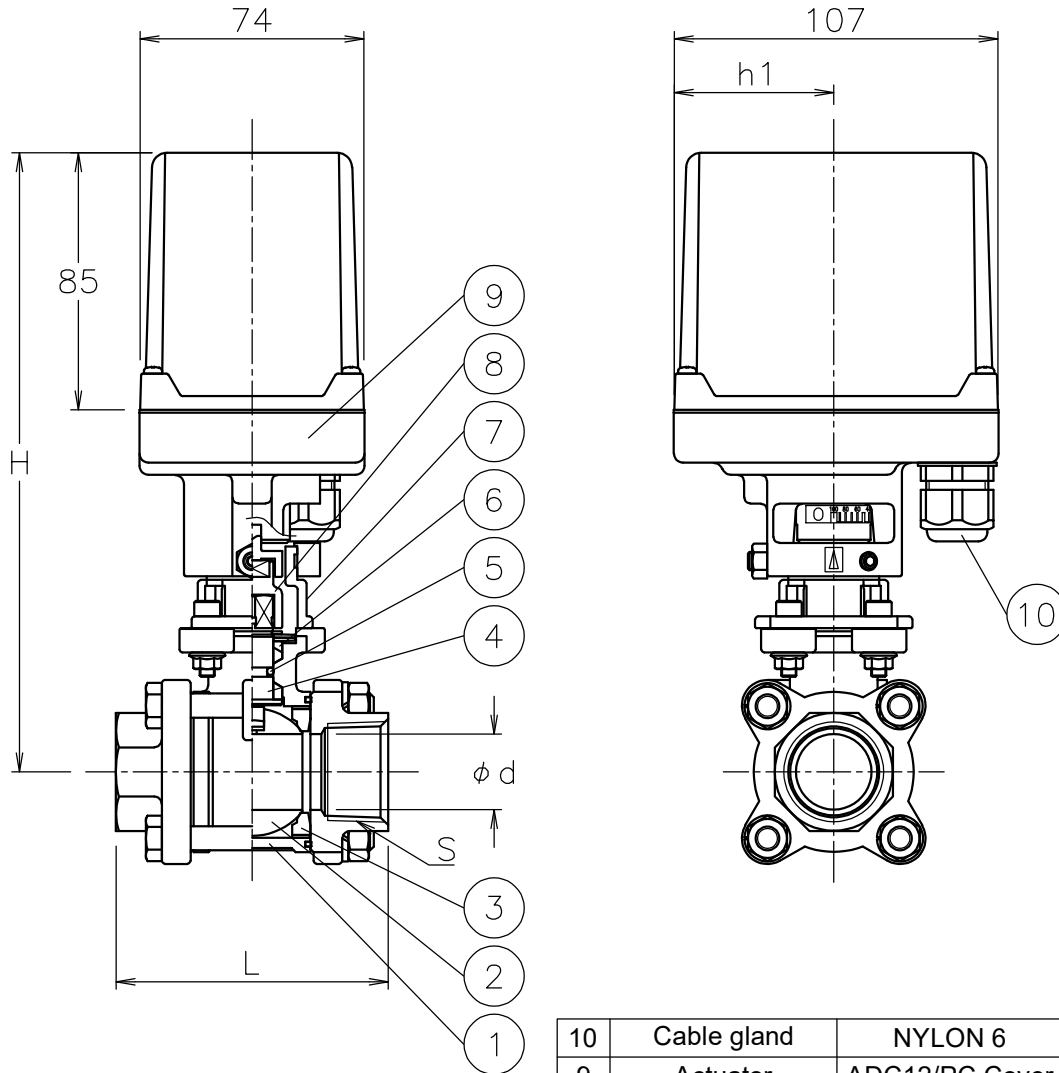



Size [mm]	S	d	L	h1	H	Weight [kg]	Actuator	Sizing code
10	Rc 3/8	13	60	36	177	2	PAX-050	0
15	Rc 1/2	15	75	53	191	2.2	PAX-120	0
20	Rc 3/4	20	80	53	194	2.4	PAX-120	0
25	Rc 1	25	90	53	205	2.8	PAX-120	0



NOTE
(a) Cable acceptance 5φ to 10.5φ mm.

10	Cable gland	NYLON 6	1	G3/8 (a)
9	Actuator	ADC12/PC Cover	1	
8	Joint	SCS13A	1	
7	Bracket	SCS13A	1	
6	Packing	R-PTFE	1	
5	O-ring	FKM	1	
4	Stem	SUS316	1	
3	Seat	R-PTFE	2	
2	Ball	SCS14A	1	
1	Body	SCS14A	1	
No	DESCRIPTION	MATERIALS	REQ'D	REMARKS

			APPR'D	H.F	TITLE	Threaded End Rc MS type motorized 3 piece control valve		
			CHK'D	K.Y				
			DESIGN		MODEL	PAXMS*05UUP		
			DRAWN	S.O				
MARK	DATE	BY	DATE	'21-07-01	SCALE	NON	DWG No.	MS-05UUP-AX12-EN
REVISIONS			 NIPPON VALVE CONTROLS, INC.					
MV-2890								