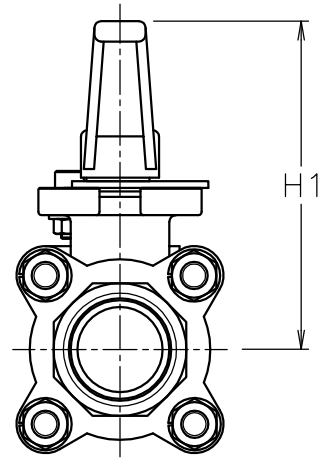
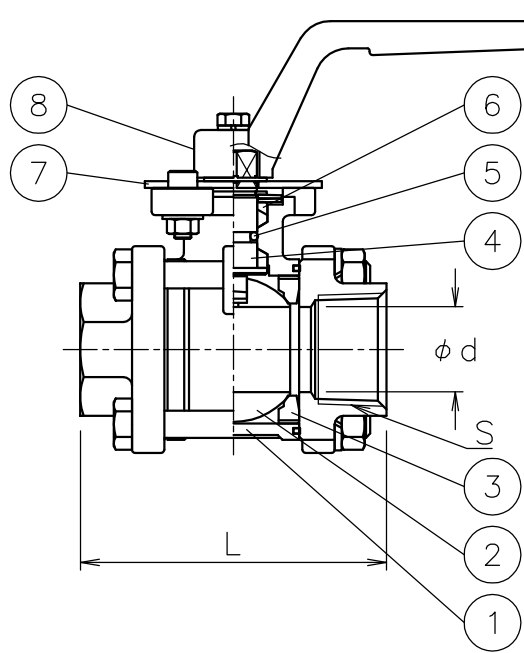
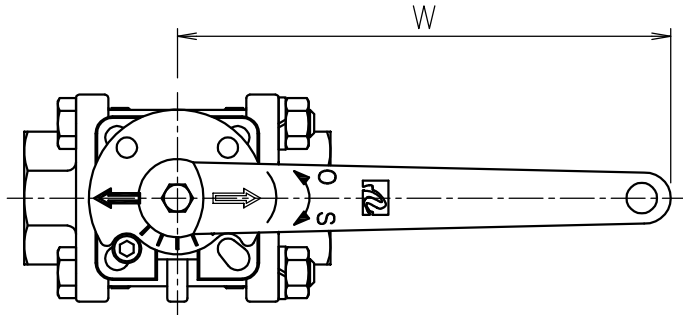



Size [mm]	S	d	L	W	H1	Weight [kg]	Actuator
10	Rc 3/8	13	60	115	78	0.8	Lever
15	Rc 1/2	15	75	115	78	0.8	Lever
20	Rc 3/4	20	80	115	82	1	Lever
25	Rc 1	25	90	145	97	1.4	Lever
32	Rc1 1/4	32	110	145	102	2.2	Lever
40	Rc1 1/2	38	120	220	118	3	Lever
50	Rc 2	50	140	220	127	4.6	Lever



**NOTE**

(a) Lever handle is removed and shipped.

8	Lever handle	SCS13A	1	(a)
7	Position indicator	SUS304	1	
6	Packing	R-PTFE	1	
5	O-ring	FKM	1	
4	Stem	SUS316	1	
3	Seat	R-PTFE	2	
2	Ball	SCS14A	1	
1	Body	SCS14A	1	
No	DESCRIPTION	MATERIALS	REQ'D	REMARKS

			APPR'D	H.F	TITLE	Threaded End Rc MS type 3 piece ball valve		
			CHK'D	K.Y				
			DESIGN		MODEL	MAXMSL-5UUP		
			DRAWN	S.O				
MARK	DATE	BY	DATE	'19-08-07	SCALE	NON	DWG No.	MS-5UUP-L-MA8-EN
REVISIONS			 <b>NIPPON VALVE CONTROLS, INC.</b>					
MV-2791								