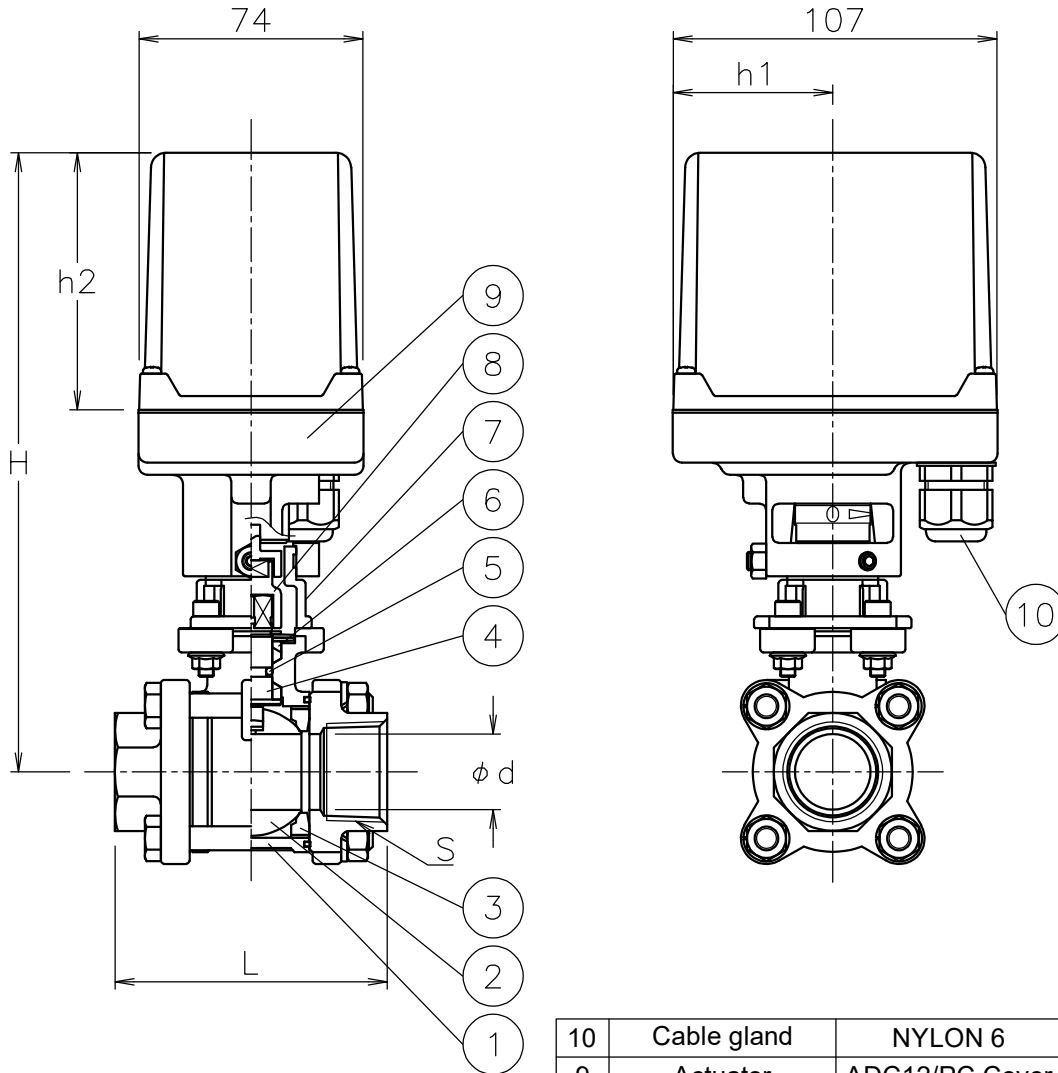



Size [mm]	S	d	L	h1	h2	H	Weight [kg]	Actuator		Sizing code
10	Rc 3/8	13	60	36	58	150	1.7	AM1-070	AM2-070	0
15	Rc 1/2	15	75	36	58	150	1.7	AM1-070	AM2-070	0
20	Rc 3/4	20	80	36	58	153	1.9	AM1-070	AM2-070	0
				53	85	194	2.4	AM1-180	AM2-180	2
25	Rc 1	25	90	53	85	205	2.8	AM1-180	AM2-180	0



NOTE
(a) Cable acceptance 5φ to 10.5φ mm.

10	Cable gland	NYLON 6	1	G3/8 (a)
9	Actuator	ADC12/PC Cover	1	
8	Joint	SCS13A	1	
7	Bracket	SCS13A	1	
6	Packing	R-PTFE	1	
5	O-ring	FKM	1	
4	Stem	SUS316	1	
3	Seat	R-PTFE	2	
2	Ball	SCS14A	1	
1	Body	SCS14A	1	
No	DESCRIPTION	MATERIALS	REQ'D	REMARKS

			APPR'D	H.F	TITLE	Threaded End Rc MS type motorized 3 piece ball valve					
			CHK'D	K.Y							
			DESIGN		MODEL	AM1MS**5UUP AM2MS**5UUP					
			DRAWN	S.O							
MARK	DATE	BY	DATE	'21-07-01	SCALE	NON	DWG No.	MS-*5UUP-AM14-EN			
REVISIONS			 NIPPON VALVE CONTROLS, INC.								
MV-2890											