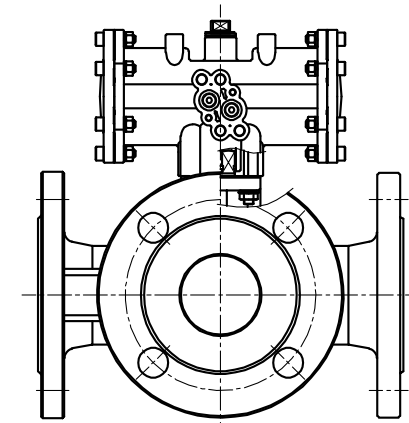
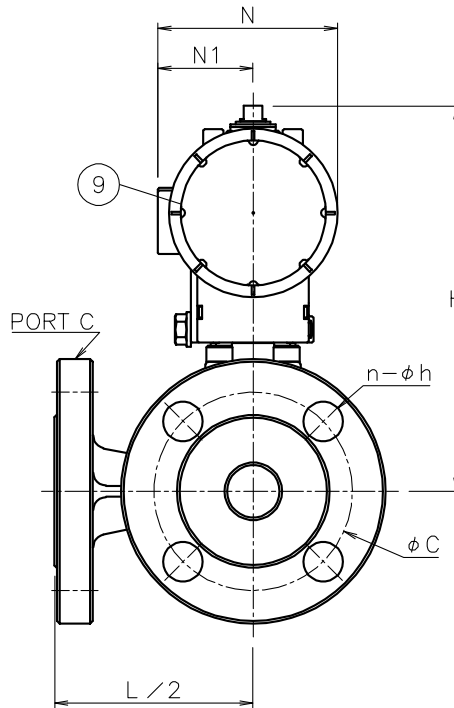
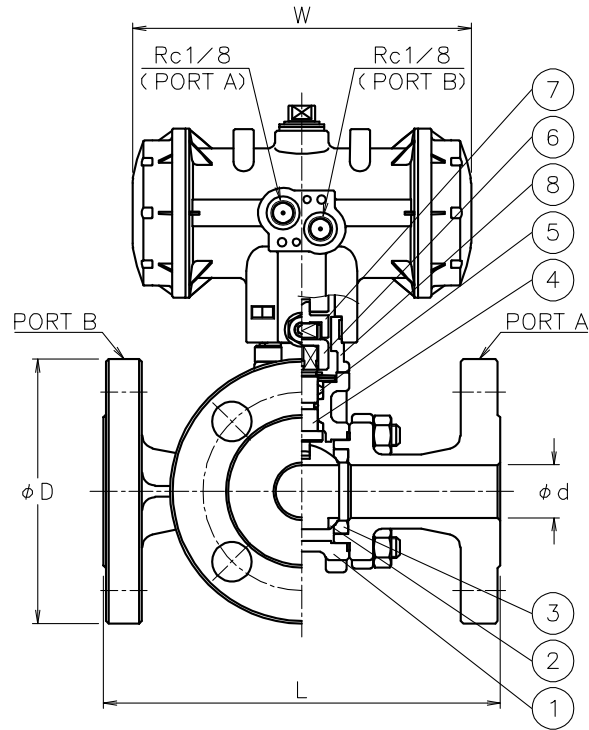


Size (mm)	d	L	D	C	n-h	W	N	N1	H	Weight (kg)	Cv ON-OFF	Actuator	Sizing code
20	20	150	100	75	4-15	128	68	36	146	3.9	24	PND-04D	0
25	25	170	125	90	4-19	128	68	36	143	5.9	40	PND-04D	0
40	40	200	140	105	4-19	157	82	44	164	9.1	100	PND-05D	0
50	50	230	155	120	4-19	157	82	44	173	12	170	PND-05D	0

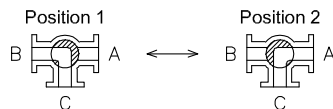


PNDLR901TTP-025
PNDLR901TTP-040
PNDLR901TTP-050

NOTE

- Air supply: 0.4~0.5 MPa max 0.7 MPa
- Actuator operation
 - Air to port A: Position 1
 - Air to port B: Position 2
- Coupling OD must be less than φ14.5

Flow paths (Top view of valve)



9	Actuator	PPS body	1	PND
8	Bracket	SCS13A	1	
7	Joint	SUS304	1	
6	Joint	SCS13A	1	
5	Packing	R-PTFE	1set	
4	Stem	SUS304	1	
3	Seat	R-PTFE	2	
2	Ball	SUS304/SCS13A	1	
1	Body	SCS13A	1	
No	DESCRIPTION	MATERIALS	REQ'D	REMARKS

			APPR'D	K.Y	TITLE	J10K Flanged-end (double-acting type) LR type pneumatic actuated 3 way ball valve				
			CHK'D	K.Y						
			DESIGN		MODEL	PNDLR901TTP				
			DRAWN	T.A						
MARK	DATE	BY	DATE	'22-12-08	SCALE	NON	DWG No.	LR-901TTP-NA1-EN		
REVISIONS										
MV-2987										