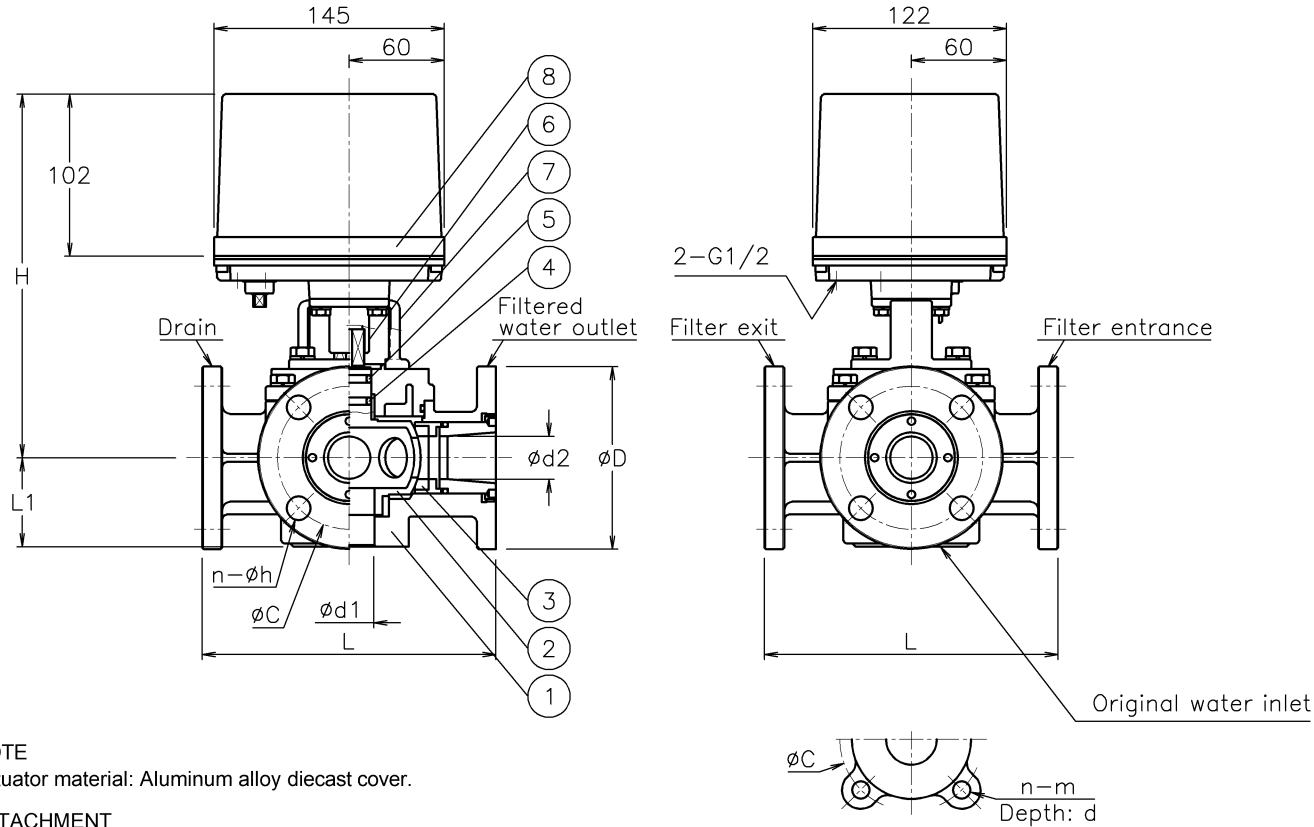


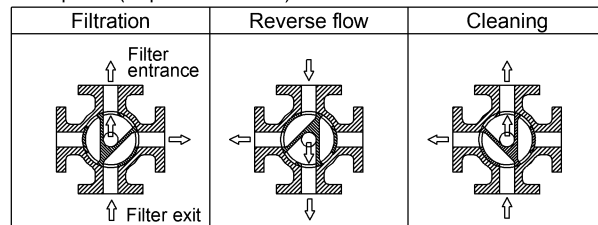
Size [mm]	d1	d2	L	L1	J5K FF Flanged end							J10K RF Flanged end						H	Weight [kg]		Cv	Actuator	Sizing code
					D	C	n	h	m	d	D	C	n	h	m	d	J5K		J10K				
32	32	27	185	56	115	90	4	15	M12	15	135	100	4	19	M16	18	229	13	16	15	AE3-360	0	
40	32	27	185	56	120	95	4	15	M12	15	140	105	4	19	M16	18	229	14	17	15	AE3-360	0	
50	51	42	211	65	130	105	4	15	M12	15	155	120	4	19	M16	18	248	18	22	36	AE3-700	0	
65	65	52	240	70	155	130	4	15	M12	15	175	140	4	19	M16	18	258	25	29	58	AE3-700	0	



NOTE
Actuator material: Aluminum alloy diecast cover.

ATTACHMENT
Cable gland (nylon), G 1/2, for 6φ to 12φ cable.
Plug.

Flow paths (Top view of valve)



8	Actuator		1	
7	Bracket	SCS13A	1	
6	Joint	SUS304	1	
5	O-ring	NBR	1	
4	O-ring	EPDM	1	
3	Seat	PTFE	4	
2	Ball	SCS13A	1	
1	Body	SCS13A	1	
No	DESCRIPTION	MATERIALS	REQ'D	REMARKS

			APPR'D	H.F	TITLE	J5K and J10K Flanged-end L5 type electric actuated 5 way ball valve			
			CHK'D	K.Y					
			DESIGN		MODEL	AE3L5*02TTT-R		AE3L5*01TTT-R	
			DRAWN	S.O					
MARK	DATE	BY	DATE	'17-05-02	SCALE	NON	DWG No.	L5-*1TTT-R-AE8-EN	
REVISIONS									
MV-2614									