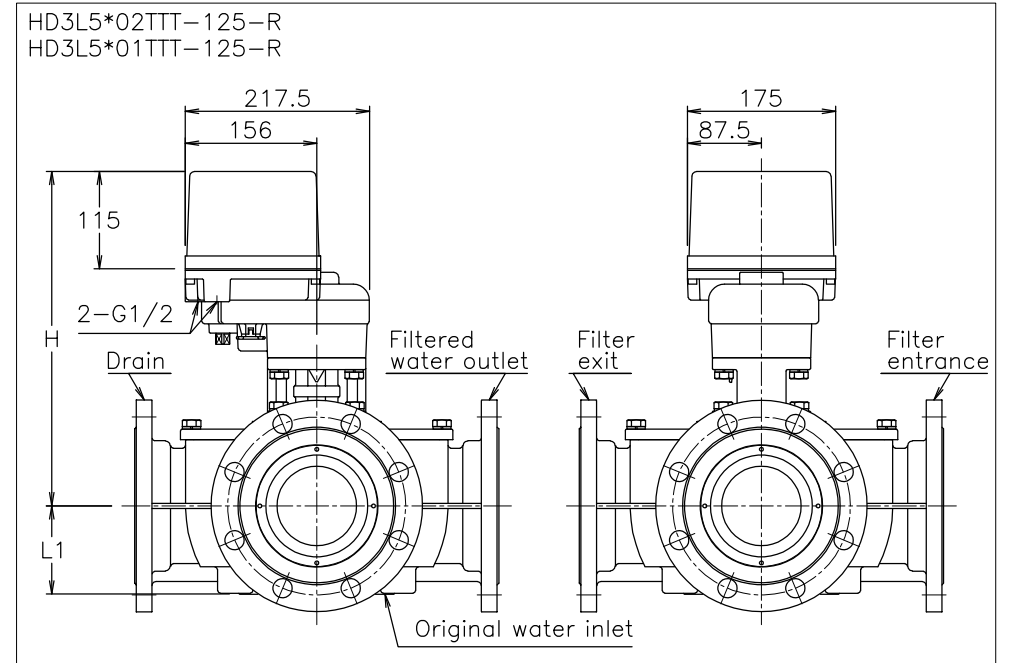
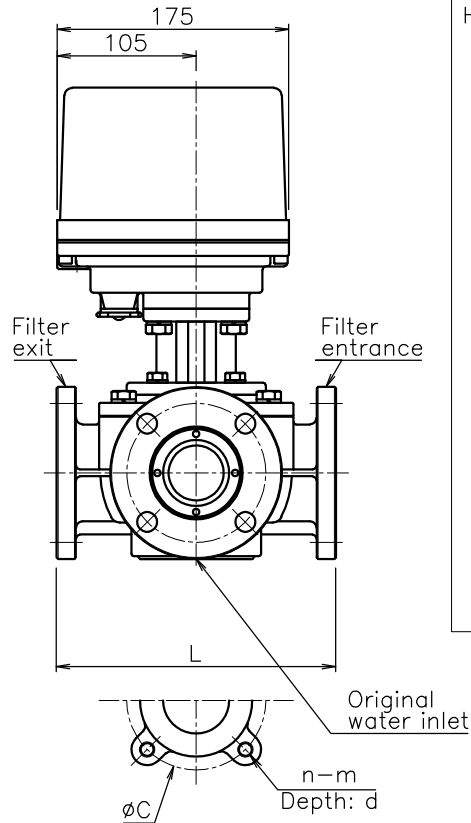
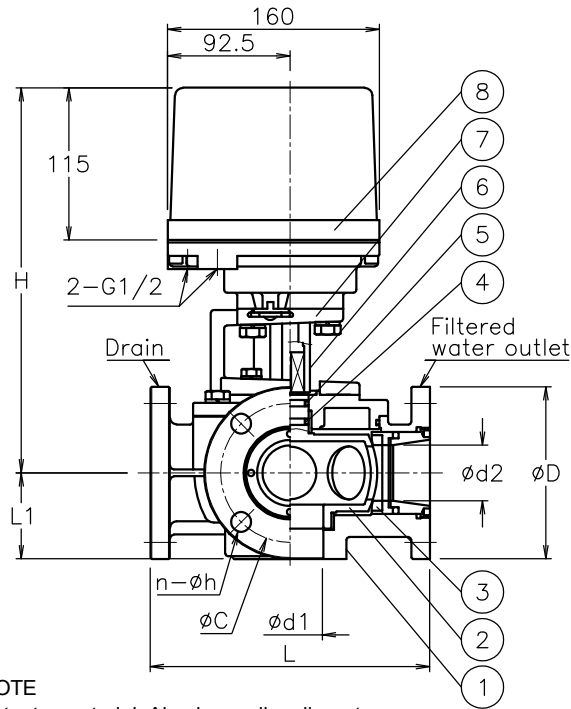


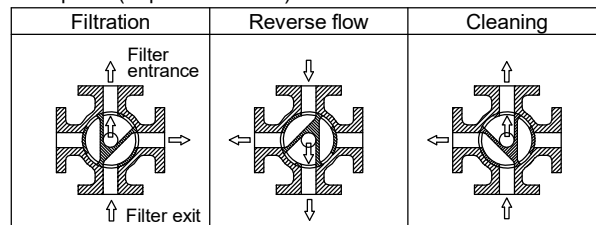
Size [mm]	d1	d2	L	L1	J5K FF Flanged end							J10K RF Flanged end						H	Weight [kg]			Cv	Actuator		Sizing code
					D	C	n	h	m	d	D	C	n	h	m	d	J5K		J10K	AD3-300	-				
																							AD3-700	-	
32	32	27	185	56	115	90	4	15	M12	15	135	100	4	19	M16	18	288	16	19	15	AD3-300	-	0		
40	32	27	185	56	120	95	4	15	M12	15	140	105	4	19	M16	18	288	16	20	15	AD3-300	-	0		
50	51	42	211	65	130	105	4	15	M12	15	155	120	4	19	M16	18	291	21	24	36	AD3-700	-	0		
65	65	52	240	70	155	130	4	15	M12	15	175	140	4	19	M16	18	301	27	31	58	AD3-700	-	0		
																	323	28	32		-	HD3-02K	2		
80	75	67	296	87	180	145	4	19	M16	20	185	150	8	19	M16	20	332	38	41	86	-	HD3-02K	0		
100	100	77	360	92	200	165	8	19	M16	20	210	175	8	19	M16	20	337	51	54	133	-	HD3-02K	0		
125	125	94	430	104	235	200	8	19	M16	26	250	210	8	23	M20	22	395	85	90	221	-	HD3-06K	0		



NOTE
Actuator material: Aluminum alloy diecast cover.

ATTACHMENT
Cable gland (nylon), G 1/2, for 6φ to 12φ cable.
Plug.

Flow paths (Top view of valve)



8	Actuator		1	
7	Bracket	ADC12/SCS13A	1	
6	Joint	SCS13A	1	
5	O-ring	NBR	1	
4	O-ring	EPDM	1	
3	Seat	PTFE	4	
2	Ball	SCS13A	1	
1	Body	SCS13A	1	
No	DESCRIPTION	MATERIALS	REQ'D	REMARKS

			APPR'D	H.F	TITLE	J5K and J10K Flanged-end L5 type electric actuated 5 way ball valve			
			CHK'D	K.Y					
			DESIGN		MODEL	AD3L5**2TTT-R	AD3L5**1TTT-R		
			DRAWN	S.O		HD3L5**2TTT-R	HD3L5**1TTT-R		
MARK	DATE	BY	DATE	'17-04-20	SCALE	NON	DWG No.	L5-1TTT-R-HD7-EN	
REVISIONS									
MV-2610									