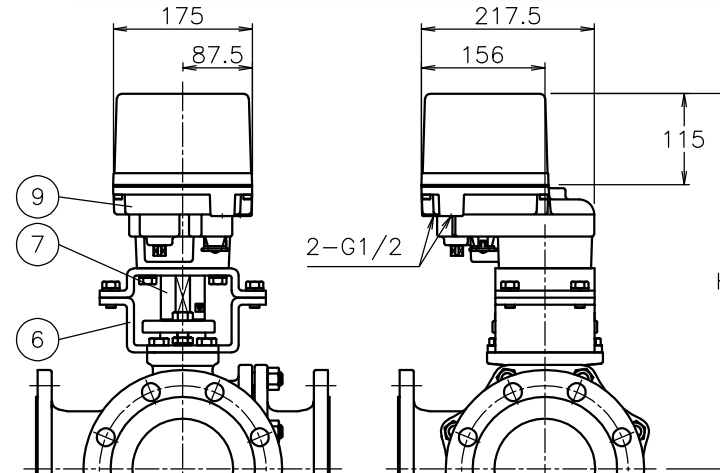
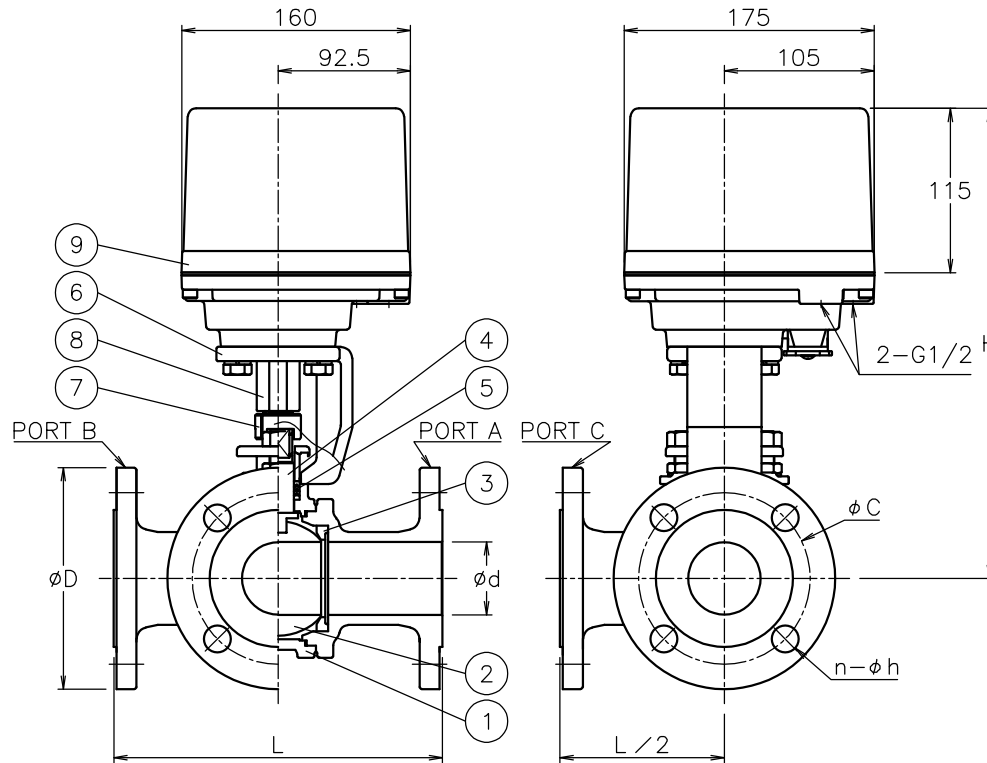


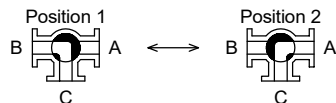
Size (mm)	d	L	D	C	n-h	H	Weight (kg)	Cv	ACTUATOR			Sizing code
20 A	19	150	100	75	4-15	285	10	24	HD1-300	HD2-300	HD0-300	0
25 A	25	170	125	90	4-19	296	12	40	HD1-300	HD2-300	HD0-300	0
40 A	38	200	140	105	4-19	321	16	100	HD1-300	HD2-300	HD0-300	0
									HD1-700	HD2-700	HD0-700	2
50 A	51	230	155	120	4-19	329	19	170	HD1-700	HD2-700	HD0-700	0
65 A	64	260	175	140	4-19	368	27	240	HD1-700	HD2-700	HD0-700	0
80 A	76	280	185	150	8-19	378	31	380	HD1-700	HD2-700	HD0-700	1
									HD1-02K	HD2-02K	HD0-02K	0
100 A	102	340	210	175	8-19	436	45	680	HD1-02K	HD2-02K	HD0-02K	0
125 A	127	370	250	210	8-23	473	75	1080	HD1-06K	HD2-06K	HD0-06K	0
150 A	152	430	280	240	8-23	493	94	1620	HD1-06K	HD2-06K	HD0-06K	0
200 A	203	520	330	290	12-23	546	154	2870	HD1-06K	HD2-06K	HD0-06K	1



HD*L2*01TTT-125
 HD*L2*01TTT-150
 HD*L2*11TTT-200

NOTE
 Attachment
 •Cable gland(nylon), G1/2, for $\phi 6-12$ cable
 •Plug

Flow paths (Top view of valve)



No	DESCRIPTION	MATERIALS	REQ'D	REMARKS
9	Actuator		1	
8	Joint	SCS13A	1	
7	Joint	SUSXM7/LAK52	1	125,150A
		SUS303/SUS304		065~100A 200A
		SCS13A		025~050A 020A
6	Bracket	SS400	1	125~200A
		SCPH2	1	020~100A
5	Packing	N-PTFE	1	
4	Stem	SUS304	1	
3	Seat	N-PTFE	2	
2	Ball	SUS304/SCS13A	1	
1	Body	SCS13A	1	

MARK	DATE	BY	DATE	SCALE	TITLE	MODEL	DWG No.
			'23-11-16	NON	J10K Flanged-end L2 type electric actuated 3 way ball valve	HD1L2**TTT HD2L2**TTT	HD0L20*1TTT
REVISIONS							L2-*1TTT-HD11-EN
MV-3039							