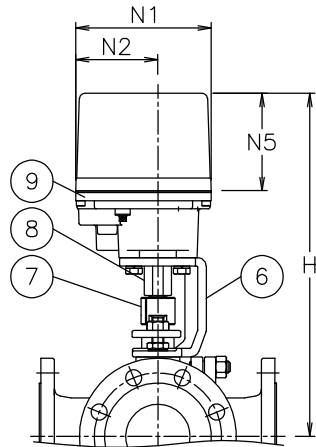
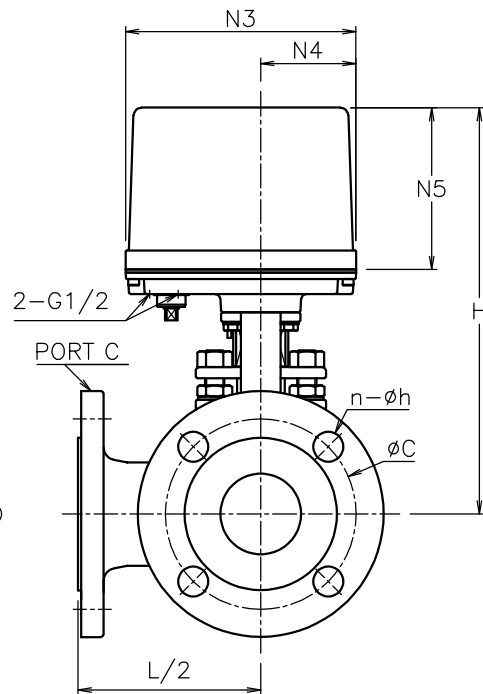
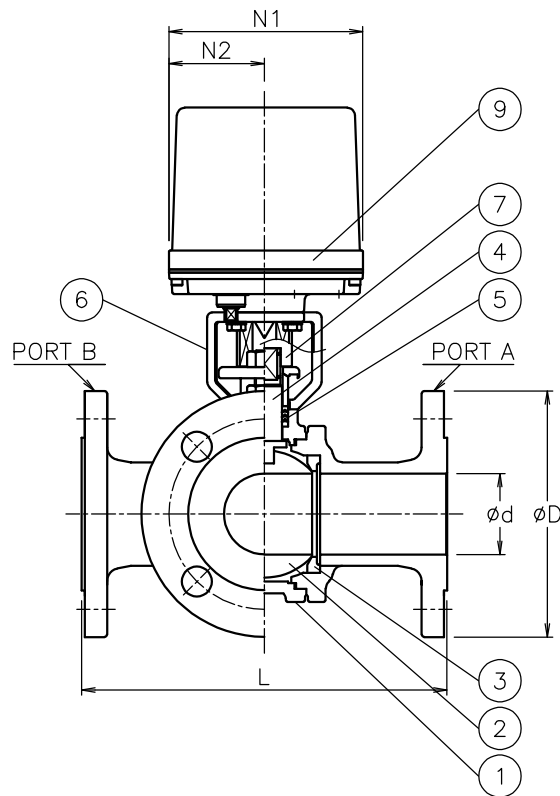


AE*L2*01TTT-065
AE*L2*11TTT-080



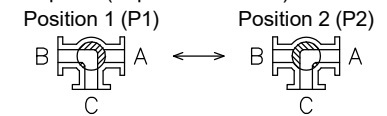
AE*L2*21TTT-065
AE*L2*01TTT-080
AE*L2*01TTT-100



Size [mm]	d	L	D	C	n-h	N1	N2	N3	N4	N5	H	Weight [kg]	Cv P1/P2	Actuator		Sizing code
20	19	150	100	75	4-15	122	60	145	60	102	219	6.2	24	AE1-120	AE2-120	0
25	25	170	125	90	4-19	122	60	145	60	102	229	8.3	40	AE1-120	AE2-120	0
												8.9		AE1-360	AE2-360	2
40	38	200	140	105	4-19	122	60	145	60	102	248	13	100	AE1-360	AE2-360	0
												16		AE1-360	AE2-360	0
50	51	230	155	120	4-19	122	60	145	60	102	256	16	170	AE1-700	AE2-700	2
												16		AE1-700	AE2-700	0
65	64	260	175	140	4-19	122	60	145	60	102	300	23	240	AE1-02K	AE2-02K	2
												30		AE1-02K	AE2-02K	0
80	76	280	185	150	8-19	122	60	145	60	102	310	27	380	AE1-700	AE2-700	1
												34		AE1-02K	AE2-02K	0
100	102	340	210	175	8-19	160	97	175	63	115	441	47	680	AE1-02K	AE2-02K	0

NOTE
ATTACHMENT
Cable gland (nylon), G1/2, for 6φ to 12φ cable.
Plug.

Flow paths (Top views of valve)



9	Actuator		1	
8	Joint	SCS13A	1	
7	Joint	SUS304	1	100
		SUS(LAK52)/SUS304		065, 080
		SUS(LAK52)		020 to 050
6	Bracket	SCPH2	1	100
		SCPH2/SUS304		065, 080
		SCS13A		020 to 050
5	Packing	N-PTFE	1	
4	Stem	SUS304	1	
3	Seat	N-PTFE	2	
2	Ball	SUS304/SCS13A	1	
1	Body	SCS13A	1	
No	DESCRIPTION	MATERIALS	REQ'D	REMARKS

			APPR'D	H.F	TITLE	J10K Flanged-end L2 type electric actuated 3 way ball valve					
			CHK'D	K.Y							
			DESIGN		MODEL	AE1L2**1TTT AE2L2**1TTT					
			DRAWN	S.O							
MARK	DATE	BY	DATE	'21-10-14	SCALE	NON	DWG No.	L2-*1TTT-AE16-EN			
REVISIONS											
MV-2937											