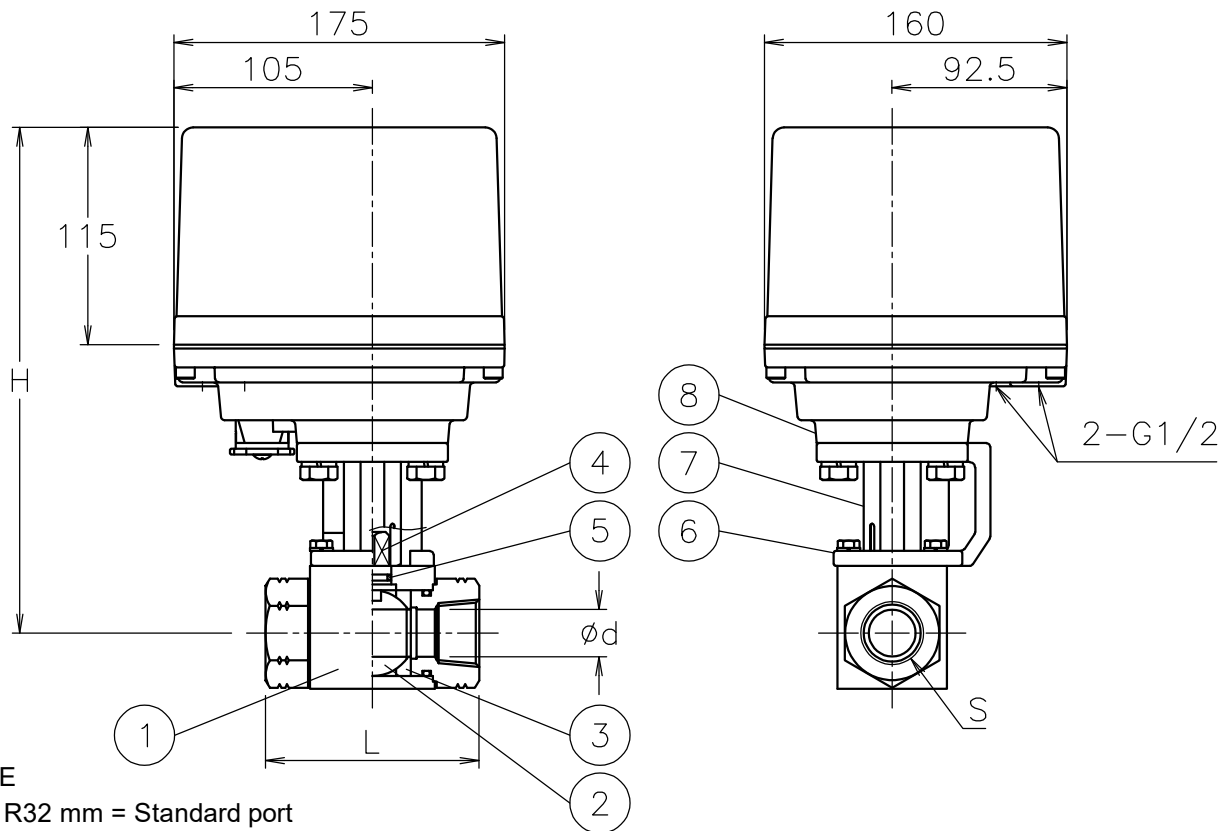


Size [mm]	S	d	L	H	Weight [kg]	Actuator			Sizing code
8	Rc 1/4	10	72	253	7.1	AD1-300	AD2-300	AD0-300	0
					7.3	AD1-700	AD2-700	AD0-700	2
10	Rc 3/8				7.1	AD1-300	AD2-300	AD0-300	0
					7.3	AD1-700	AD2-700	AD0-700	2
15	Rc 1/2	13	83	253	7.2	AD1-300	AD2-300	AD0-300	0
					7.4	AD1-700	AD2-700	AD0-700	2
20	Rc 3/4	20	95	265	8.2	AD1-700	AD2-700	AD0-700	0
25	Rc 1	25	113	268	9	AD1-700	AD2-700	AD0-700	0
R32	Rc1 1/4	25	120	268	9	AD1-700	AD2-700	AD0-700	0




NOTE
Size R32 mm = Standard port

ATTACHMENT

Cable gland (nylon), G 1/2, for 6φ to 12φ cable.
Plug.

Size [mm]	Working pressure
8 to 15	31.5 MPa
20	30 MPa
25 to R32	25 MPa

8	Actuator		1	
7	Joint	SCS13A	1	
6	Bracket	SCS13A	1	
5	O-ring	FKM	1	
4	Stem	SUS316Ti	1	
3	Seat	POM	2	
2	Ball	SUS316Ti	1	HCr plated
1	Body	SUS316Ti	1	
No	DESCRIPTION	MATERIALS	REQ'D	REMARKS

			APPR'D	H.F	TITLE	Threaded End Rc			
			CHK'D	K.Y		H type high pressure electric actuated ball valve			
			DESIGN		MODEL	AD1H-**5UUD		AD0H-0*5UUD	
			DRAWN	S.O		AD2H-**5UUD			
MARK	DATE	BY	DATE	'23-02-02	SCALE	NON	DWG No.	H*5UUD-AD12-EN	
REVISIONS			 NIPPON VALVE CONTROLS, INC.						
MV-2994									