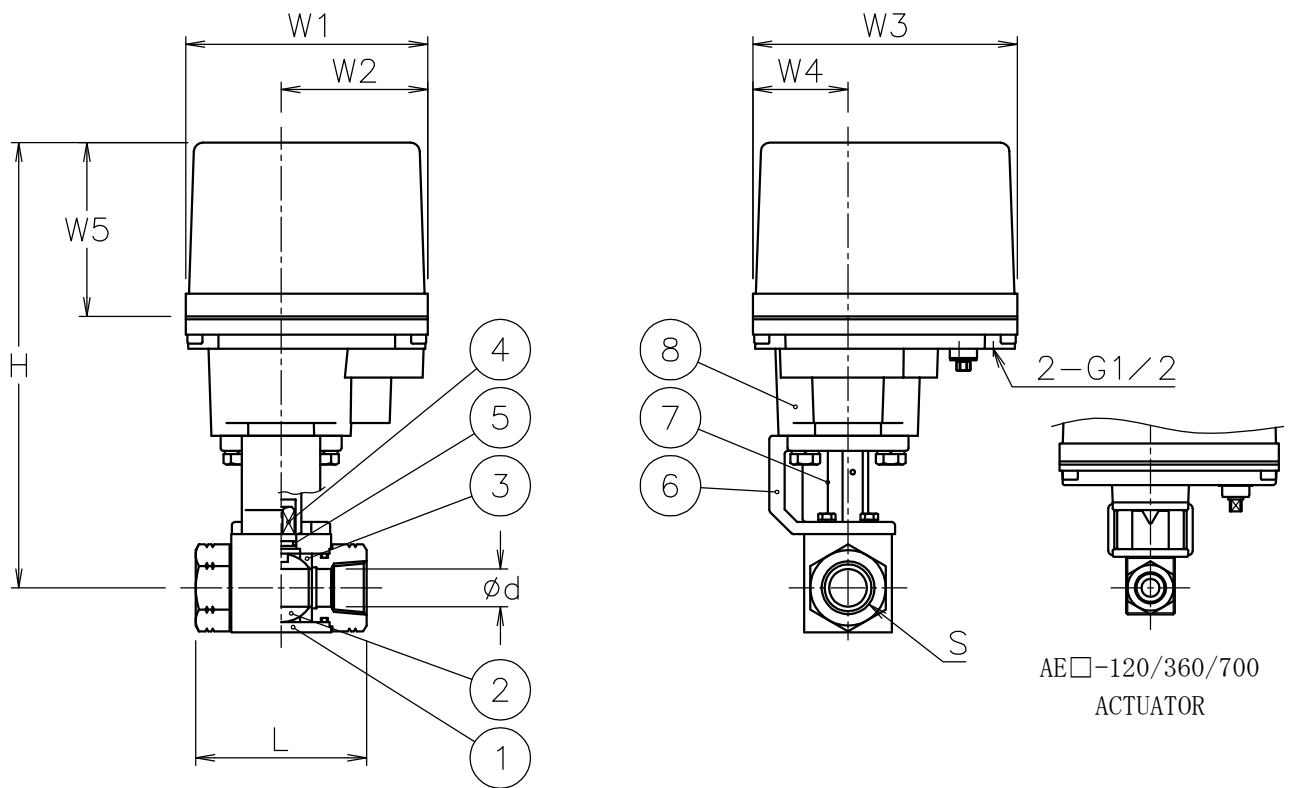


Valve DN	S	d	L	W1	W2	W3	W4	W5	H	Weight (kg)	Cv	ACTUATOR		Sizing code	
8 A	Rc 1/4	6	69	122	60	145	60	102	185	2.8	2	AE1-120	AE2-120	0	
										3.4		AE1-360	AE2-360	2	
10 A	Rc 3/8	10	72	122	60	145	60	102	186	2.8	7	AE1-120	AE2-120	1	
										3.4		AE1-360	AE2-360	0	
15 A	Rc 1/2	13	83	122	60	145	60	102	186	12	3.6	AE1-360	AE2-360	0	
									202			3.6	AE1-700	AE2-700	2
20 A	Rc 3/4	20	95	122	60	145	60	102	198	36	5.1	AE1-360	AE2-360	1	
									214			5.1	AE1-700	AE2-700	0
									292			11	AE1-02K	AE2-02K	2
25 A	Rc 1	25	113	122	60	145	60	102	225	60	5.3	AE1-700	AE2-700	0	
				160	97	175	63	115	295			11	AE1-02K	AE2-02K	2
R32 A	Rc1 1/4	25	120	122	60	145	60	102	225	60	5.3	AE1-700	AE2-700	0	
				160	97	175	63	115	295			11	AE1-02K	AE2-02K	2




NOTE

- (a) Joint material: SCS13 for AE□-02K
- (b) ALUMINUM ALLOY DIECAST COVER

Attachment

- Cable gland (nylon), G 1/2, for $\phi 6\sim 12$ cable
- Plug
- ※ ValveDN R32 A is Reduced bore

8	ACTUATOR		1	(b)
7	JOINT	SUS304	1	(a)
6	BRACKET	SCS13	1	
5	O' RING	FKM	1	
4	STEM	SUS316Ti	1	
3	SEAT	POM	2	(MoS2)
2	BALL	SUS316Ti	1	Ep-Fe/HCr
1	BODY	CARBON STEEL	1	ELp-Fe/Ni
No	DESCRIPTION	MATERIALS	REQ' D	REMARKS

			APPR' D	H. F	TITLE	Threaded End Rc ValveDN: 8~R32 A H type high pressure electric actuated ball valve			
			CHK' D	B. Z					
			DESIGN		MODEL	AE1H-**5SUD		AE2H-**5SUD	
			DRAWN	S. O					
			DATE	'04-03-16	SCALE	NON	DWG No.	H-5SUD-AE5-E	
MARK	DATE	BY			NIPPON VALVE CONTROLS, INC.				
REVISIONS									