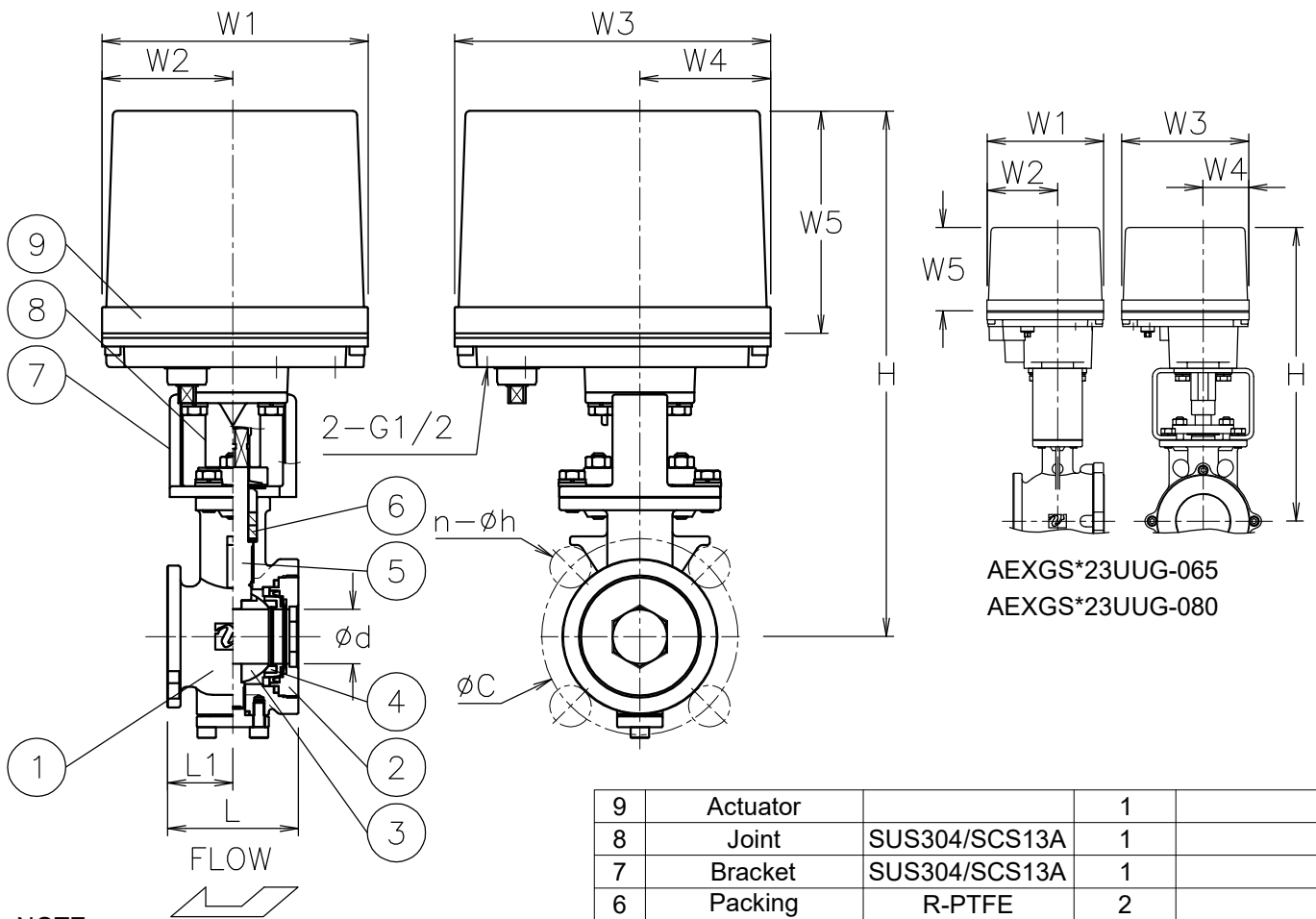


Size [mm]	d	L	L1	J10K		J20K		W1	W2	W3	W4	W5	H	Weight [kg]	Cv	Actuator	Sizing code
				C	n-h	C	n-h										
15	15	40	20	70	4-15	70	4-15	122	60	145	60	102	230	3.2	20	AEX-120	0
														3.6		AEX-360	2
20	20	50	25	75	4-15	75	4-15	122	60	145	60	102	232	3.4	36	AEX-120	0
														3.8		AEX-360	2
25	25	60	30	90	4-19	90	4-19	122	60	145	60	102	241	3.9	50	AEX-120	0
														4.3		AEX-360	2
32	32	70	35	100	4-19	100	4-19	122	60	145	60	102	245	4.3	90	AEX-120	0
														4.7		AEX-360	2
40	40	80	40	105	4-19	105	4-19	122	60	145	60	102	268	120	AEX-360	0	
													284		6	AEX-700	2
50	50	95	45	120	4-19	120	8-19	122	60	145	60	102	276	220	AEX-360	0	
													292		7.4	AEX-700	2
65	64	110	52	140	4-19	140	8-19	122	60	145	60	102	326	380	AEX-700	0	
								160	97	175	63	115	397		17	AEX-02K	2
80	74	125	61	150	8-19	160	8-23	122	60	145	60	102	333	750	AEX-700	0	
								160	97	175	63	115	404		19	AEX-02K	2



AEXGS*23UUG-065
AEXGS*23UUG-080

NOTE

Actuator material: Aluminum alloy diecast cover.
ATTACHMENT
Cable gland (nylon), G 1/2, for 6φ to 12φ cable.
Plug.

9	Actuator		1	
8	Joint	SUS304/SCS13A	1	
7	Bracket	SUS304/SCS13A	1	
6	Packing	R-PTFE	2	
5	Stem	SUS316	1	
4	Seat	R-PTFE	1	
3	Ball	SCS14A	1	HCr PLTD
2	Cap	SCS14A	1	
1	Body	SCS14A	1	
No	DESCRIPTION	MATERIALS	REQ'D	REMARKS

			APPR'D	H.F	TITLE	J10K/20K Flanged-end (Wafer type) GS type electric actuated control valve			
			CHK'D	K.Y					
			DESIGN		MODEL	AEXGS**3UUG			
			DRAWN	S.O					
MARK	DATE	BY	DATE	'17-05-31	SCALE	NON	DWG No.	GS-*3UUG-EX13-EN	
REVISIONS									
MV-2625									