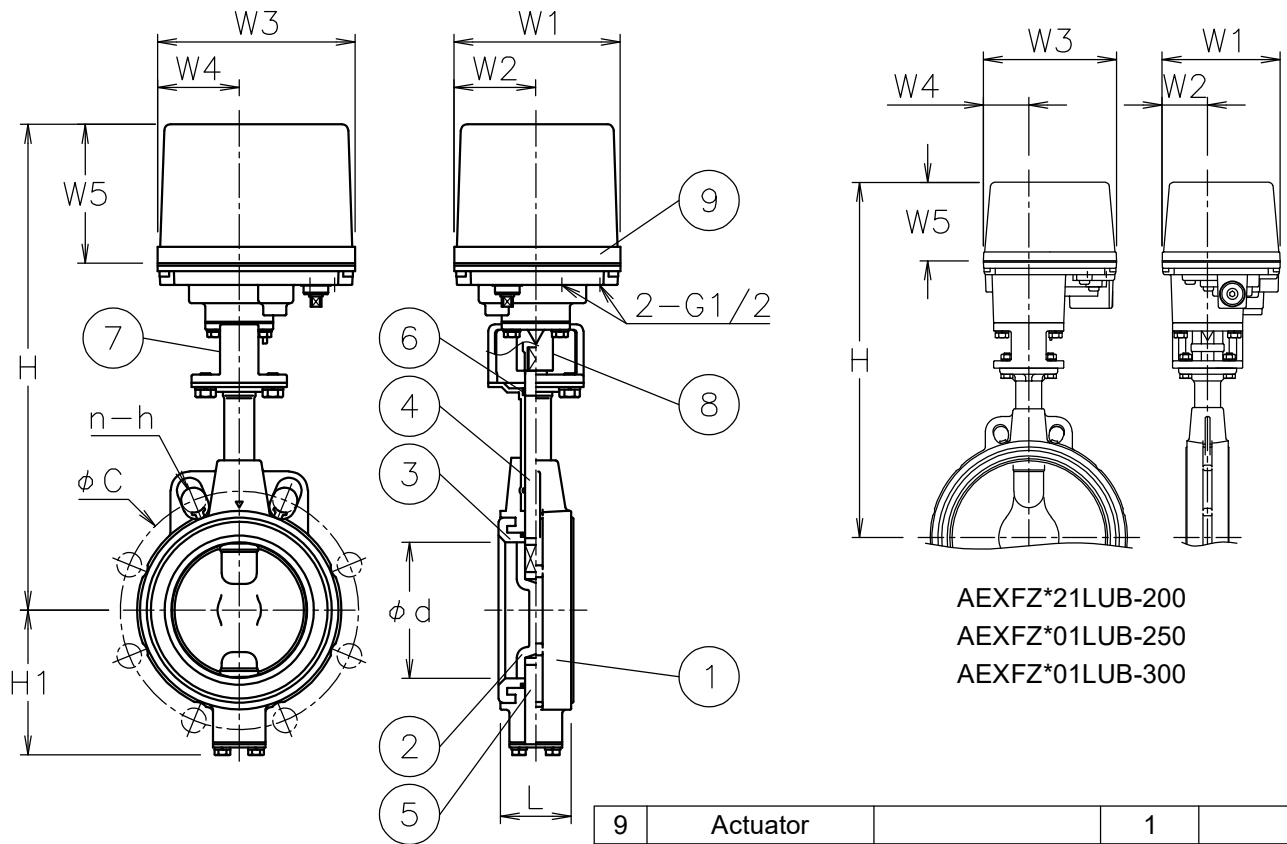


Size [mm]	d	L	H1	JIS 5K		JIS 10K		W1	W2	W3	W4	W5	H	Weight [kg]	Cv	Actuator	Sizing code
				C	n-h	C	n-h										
40	43	33	66	95	4-14	105	4-18	122	60	145	60	102	305	4	102	AEX-360	0
50	55	43	69	105	4-14	120	4-18	122	60	145	60	102	313	4.2	165	AEX-360	0
65	66	46	80	130	4-14	140	4-18	122	60	145	60	102	323	4.8	250	AEX-360	0
								122	60	145	60	102	339			AEX-700	2
80	84	46	89	145	4-18	150	8-18	122	60	145	60	102	344	5.2	380	AEX-700	0
100	100	52	106	165	8-18	175	8-18	122	60	145	60	102	357	5.8	650	AEX-700	0
								160	97	175	63	115	426			12	AEX-02K
125	130	56	123	200	8-18	210	8-22	160	97	175	63	115	434	13	1100	AEX-02K	0
150	154	56	138	230	8-18	240	8-22	160	97	175	63	115	449	14	1790	AEX-02K	0
200	200	60	168	280	8-22	290	12-22	160	97	175	63	115	489	17	3300	AEX-02K	0
								195	75	220	75	130	549			24	AEX-06K
250	251	68	223	345	12-23	355	12-25	195	75	220	75	130	587	31	4400	AEX-06K	0
300	297	78	260	390	12-23	400	16-25	195	75	220	75	130	629	38	6200	AEX-06K	0



NOTE  
ATTACHMENT  
Cable gland (nylon), G1/2, for 6φ to 12φ cable.  
Plug.

9	Actuator		1	
8	Joint	SUS304/SCS13A	1	
7	Bracket	SCS13A	1	
6	O-ring	NBR	1	
5	Pin	SUS420J2	1	
4	Stem	SUS420J2	1	
3	Seat	NBR	1	
2	Disc	SCS14	1	
1	Body	ADC12	1	
No	DESCRIPTION	MATERIALS	REQ'D	REMARKS

			APPR'D	H.F	TITLE	JIS 5K / 10K Flanged-end (Wafer type) FZ type electric actuated control valve			
			CHK'D	K.Y					
			DESIGN		MODEL	AEXFZ**1LUB			
			DRAWN	S.O					
MARK	DATE	BY	DATE	'21-07-07	SCALE	NON	DWG No.	FZ-*1LUB-EX9-EN	
REVISIONS									
MV-2914									