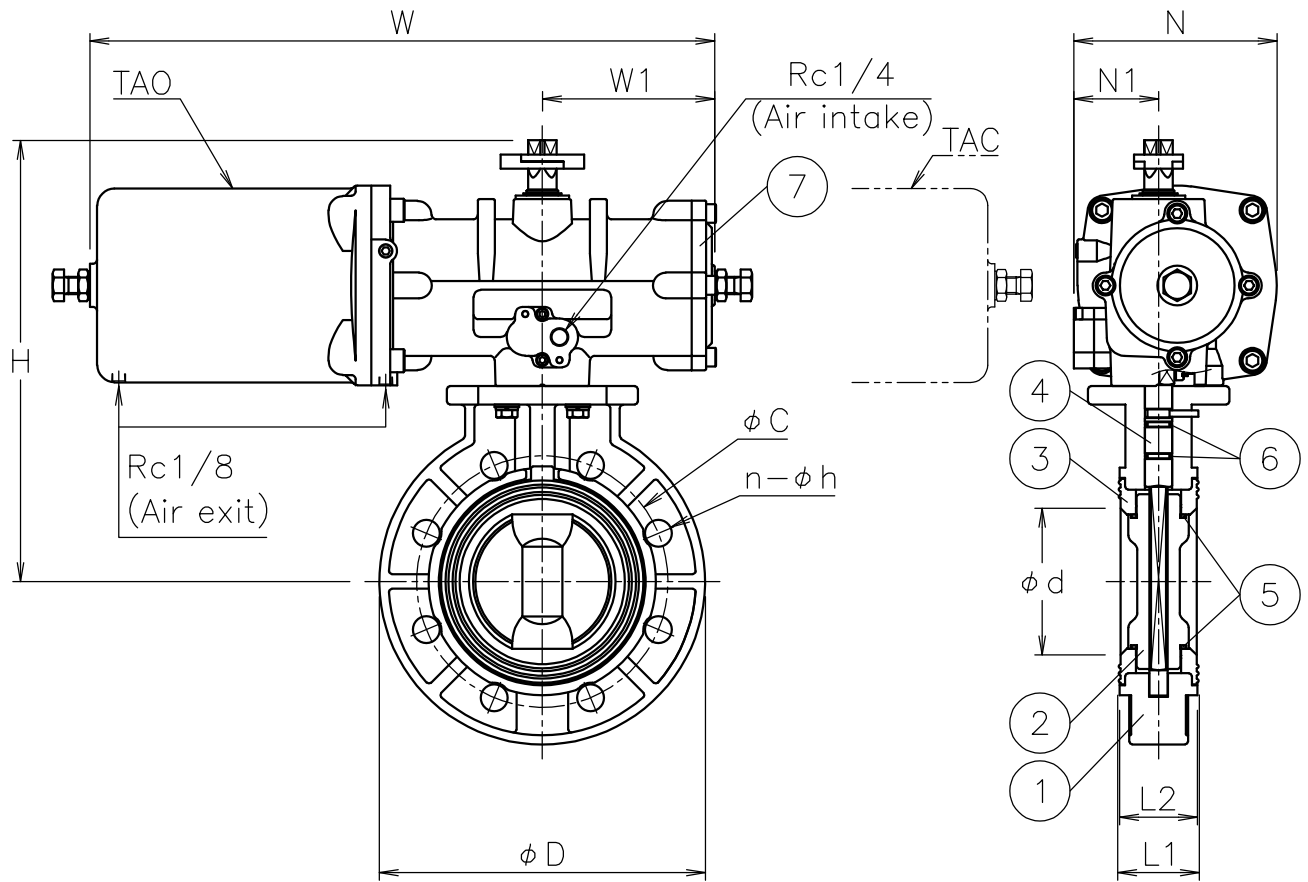


Size [mm]	d	L1	L2	D	C	n-h	W	W1	N	N1	H	Weight [kg]	Cv	Actuator		Sizing code
40	50	38.5	35.5	146	105	4-19	305	85	103	50	217	3.5	75	TAO-050	TAC-050	0
50	57	42.5	38.5	163	120	4-19	305	85	103	50	224	3.8	123	TAO-050	TAC-050	0
65	70	46	44	182	140	4-19	367	102	119	52	250	5.9	267	TAO-063	TAC-063	0
80	80	46	43.5	198	150	8-19	367	102	119	52	252	6	368	TAO-063	TAC-063	0
100	103	56	54	227	175	8-19	435	120	142	59	307	11	487	TAO-080	TAC-080	0
125	129	68	62	252	210	8-23	435	120	142	59	333	12	845	TAO-080	TAC-080	0
150	150	70	65	285	240	8-23	530	147	174	71	380	21	1120	TAO-100	TAC-100	0
200	202	85	79	343	290	12-23	688	183	193	74	432	34	2340	TAO-125	TAC-125	0
250	255	109	104	409	355	12-25	838	223	231	82	514	62	3580	TAO-160	TAC-160	0
300	310	131.5	127	487	400	16-25	838	223	231	82	572	67	5100	TAO-160	TAC-160	0




NOTE

- 1) Air supply: 0.4 to 0.5 Mpa. Max 0.7 Mpa.
- 2) Actuator operation

	Air to intake port	Spring return
TAO	OPEN	SHUT
TAC	SHUT	OPEN

7	Actuator		1	TAO/C
6	O-ring	EPDM	2	
5	O-ring	EPDM	2	
4	Stem	SUS410	1	
3	Seat	EPDM	1	
2	Disc	PP	1	
1	Body	PP	1	
No	DESCRIPTION	MATERIALS	REQ'D	REMARKS

			APPR'D	H.F	TITLE	J10K Flanged-end (Wafer type) (single-acting type) FP type pneumatic actuated butterfly valve			
			CHK'D	K.Y					
			DESIGN		MODEL	TAOFP901QQE TACFP901QQE			
			DRAWN	S.O					
MARK	DATE	BY	DATE	'21-03-02	SCALE	NON	DWG No.	FP-901QQE-TD6-EN	
REVISIONS			 NIPPON VALVE CONTROLS, INC.						
MV-2887									