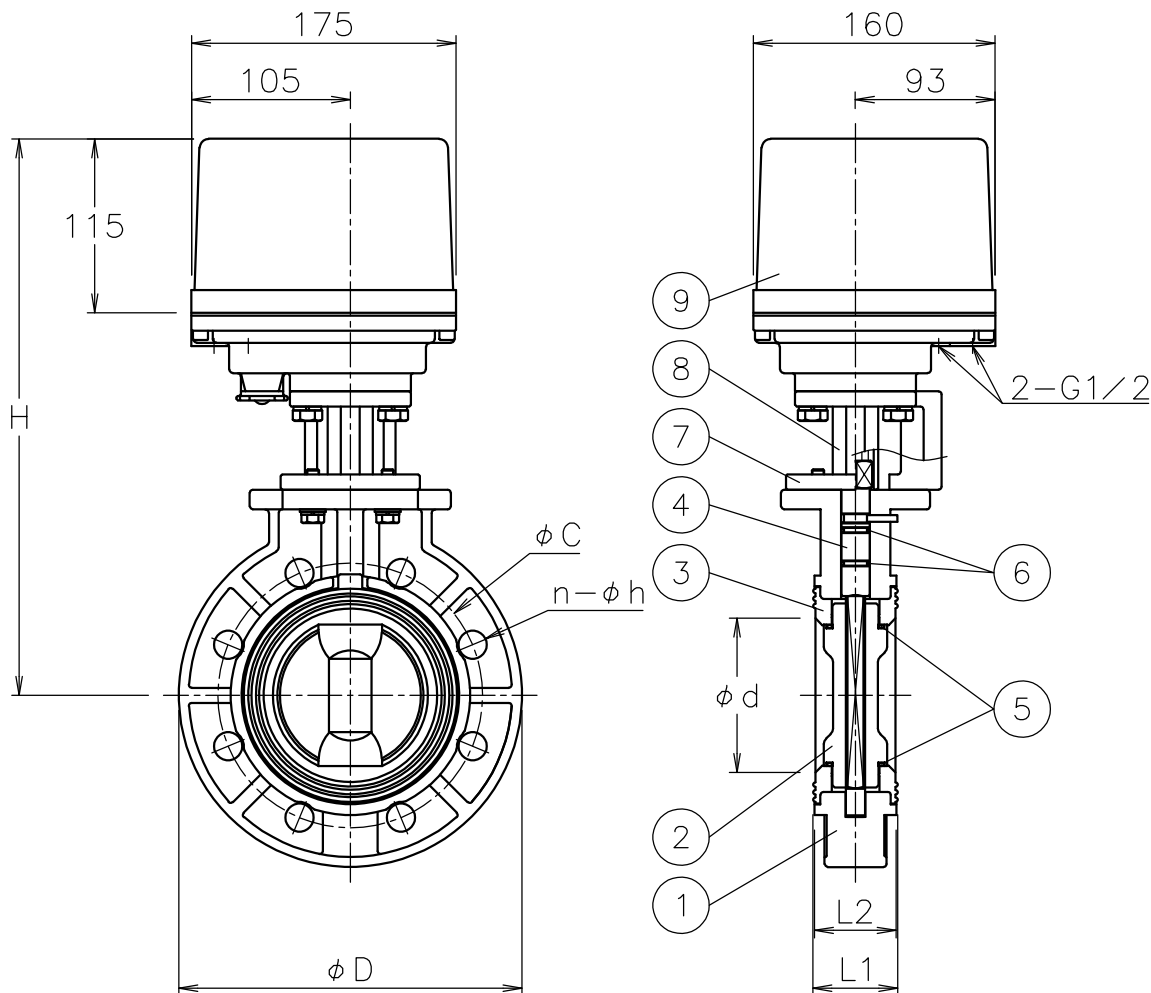


Valve DN	d	L1	L2	D	C	n-h	H	Weight (kg)	Cv	Actuator			Sizing code
40 A	50	38.5	35.5	146	105	4-19	326	6.8	75	HD1-300	HD2-300	HD0-300	0
50 A	57	42.5	38.5	163	120	4-19	333	7.1	123	HD1-300	HD2-300	HD0-300	0
65 A	70	46	44	182	140	4-19	344	7.4	267	HD1-300	HD2-300	HD0-300	0
80 A	80	46	43.5	198	150	8-19	346	7.6	368	HD1-700	HD2-700	HD0-700	0
100 A	103	56	54	227	175	8-19	368	8.6	487	HD1-700	HD2-700	HD0-700	0
125 A	129	68	62	257	210	8-23	416	12	845	HD1-02K	HD2-02K	HD0-02K	0
150 A	150	70	65	285	240	8-23	432	13	1120	HD1-02K	HD2-02K	HD0-02K	0
200 A	202	85	79	343	290	12-23	459	15	2340	HD1-02K	HD2-02K	HD0-02K	0




NOTE

Attachment

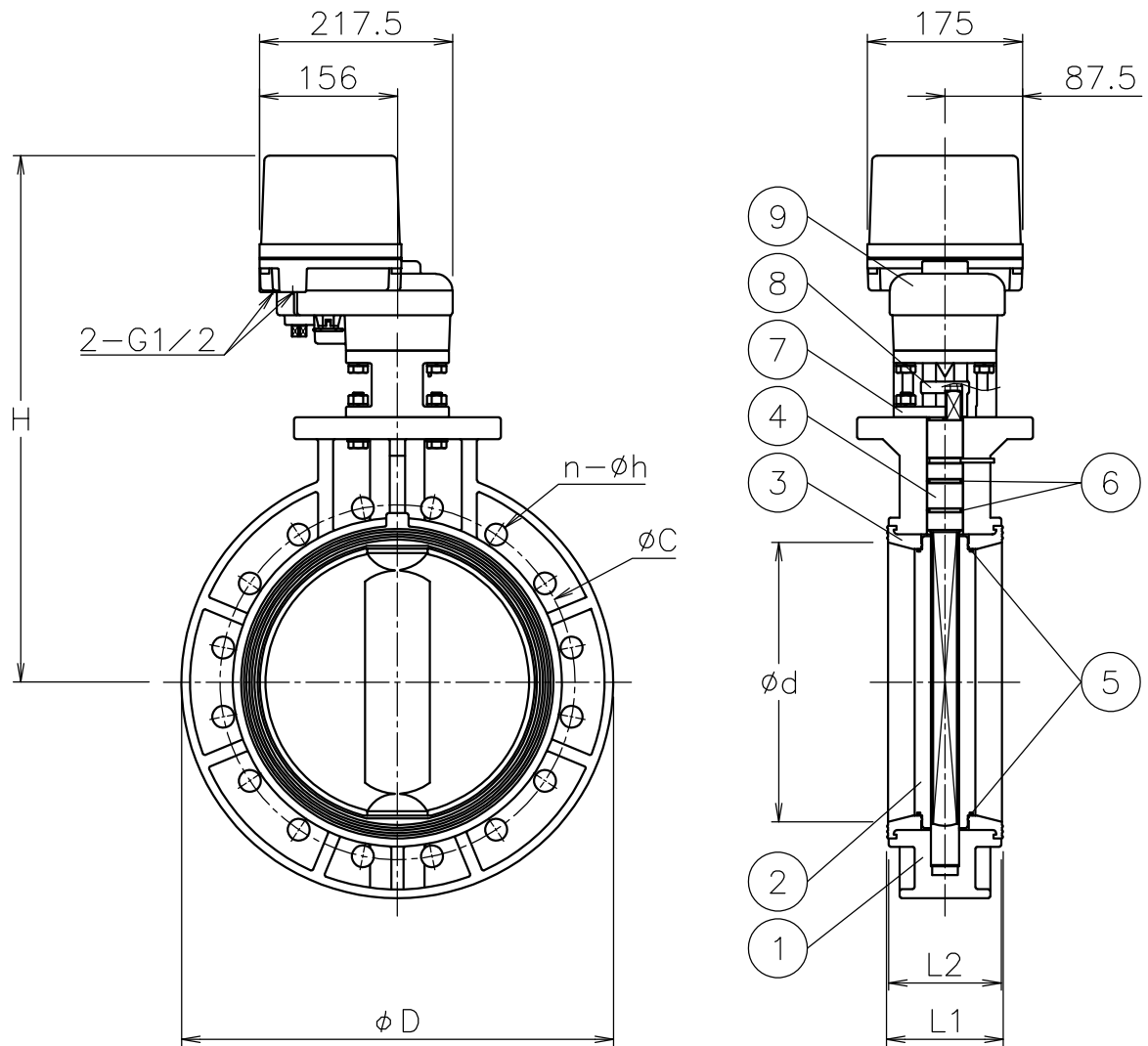
·Cable gland(nylon), G 1/2,for $\phi 6\sim 12$ cable

·Plug

9	Actuator	Aluminum alloy die-cast cover	1	
8	Joint	SCS13A	1	
7	Bracket	SCS13A	1	
6	O-ring	EPDM	2	
5	O-ring	EPDM	2	
4	Stem	SUS410	1	
3	Seat	EPDM	1	
2	Disc	PP	1	
1	Body	PP	1	
No	DESCRIPTION	MATERIALS	REQ'D	REMARKS

			APPR'D	H.F	TITLE	J10K Flanged-end (Wafer type) ValveDN: 40~200 A FP type electric actuated butterfly valve			
			CHK'D	K.Y					
			DESIGN		MODEL	HD1FP*01QQE HD2FP*01QQE HD0FP001QQE			
			DRAWN	P.O					
MARK	DATE	BY	DATE	'16-10-07	SCALE	NON	DWG No.	FP-01QQE-HDA4-EN	
REVISIONS			 NIPPON VALVE CONTROLS, INC.						
MV-2546									

Valve DN	d	L1	L2	D	C	n-h	H	Weight (kg)	Cv	Actuator			Sizing code
200 A	202	85	79	343	290	12-23	500	21	2340	HD1-06K	HD2-06K	HD0-06K	2
250 A	255	109	104	409	355	12-25	536	24	3580	HD1-06K	HD2-06K	HD0-06K	0
300 A	310	131.5	127	487	400	16-25	594	30	5100	HD1-06K	HD2-06K	HD0-06K	0



NOTE

Attachment

- Cable gland(nylon), G 1/2, for φ6~12 cable
- Plug

9	Actuator	Aluminum alloy die-cast cover	1	
8	Joint	SCS13A	1	
7	Bracket	SCS13A	1	
6	O-ring	EPDM	2	
5	O-ring	EPDM	2	
4	Stem	SUS410	1	
3	Seat	EPDM	1	
2	Disc	PP	1	
1	Body	PP	1	
No	DESCRIPTION	MATERIALS	REQ'D	REMARKS

			APPR'D	H.F	TITLE	J10K Flanged-end (Wafer type) ValveDN:200~300 A FP type electric actuated butterfly valve					
			CHK'D	K.Y							
			DESIGN		MODEL	HD1FP**1QQE HD2FP**1QQE HD0FP0*1QQE					
			DRAWN	P.O							
MARK	DATE	BY	DATE	'16-10-07	SCALE	NON	DWG No.	FP-*1QQE-HDB4-EN			
REVISIONS			NIPPON VALVE CONTROLS, INC.								
MV-2546											