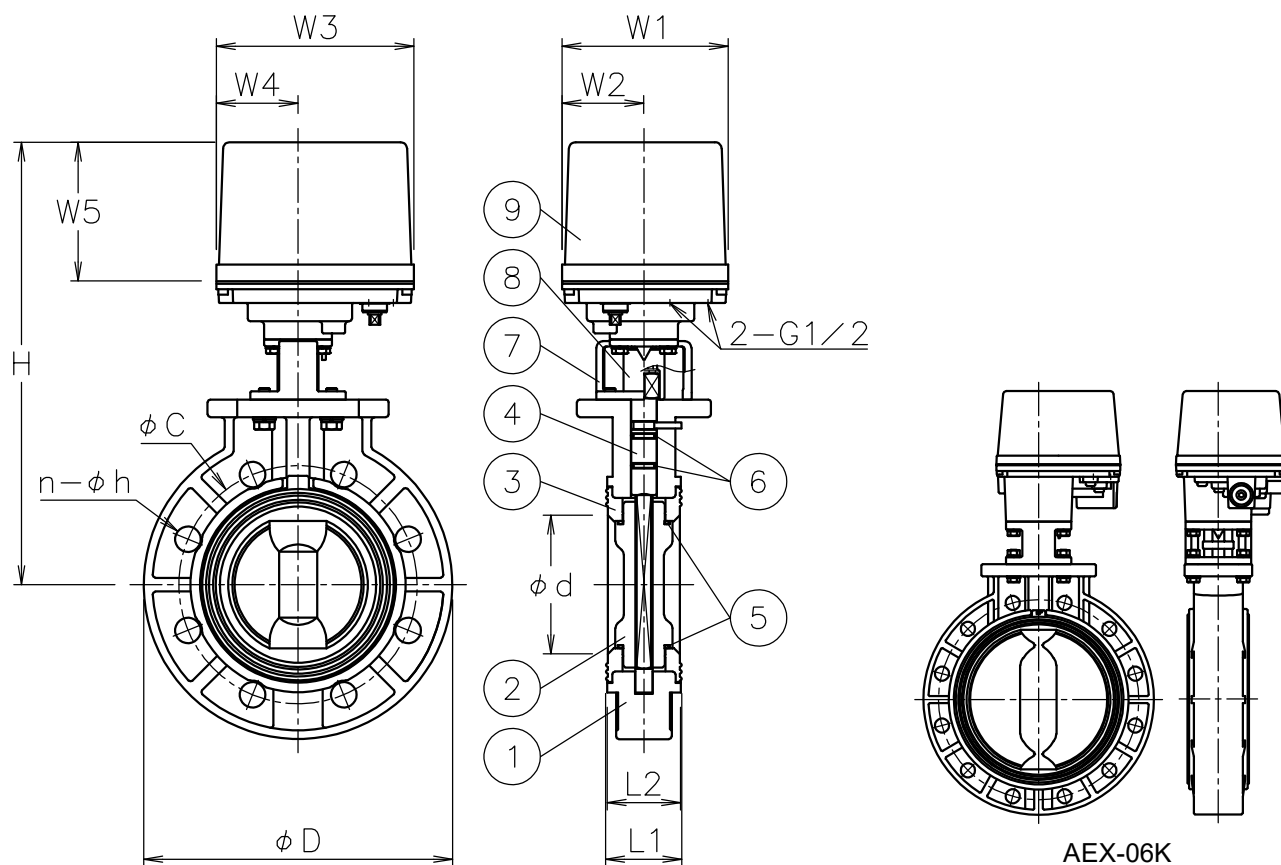


Valve DN	d	L1	L2	D	C	n-h	W1	W2	W3	W4	W5	H	Weight (kg)	Cv	Actuator	Sizing code
40 A	50	38.5	35.5	146	105	4-19	122	60	145	60	102	259	2.9	75	AEX-120	0
													3.3		AEX-360	2
50 A	57	42.5	38.5	163	120	4-19	122	60	145	60	102	266	3.6	123	AEX-360	0
65 A	70	46	44	182	140	4-19	122	60	145	60	102	277	3.8	267	AEX-360	0
80 A	80	46	43.5	198	150	8-19	122	60	145	60	102	295	4.1	368	AEX-700	0
100 A	103	56	54	227	175	8-19	122	60	145	60	102	325	4.8	487	AEX-700	0
125 A	129	68	62	252	210	8-23	160	97	175	63	115	409	11	845	AEX-02K	0
150 A	150	70	65	285	240	8-23	160	97	175	63	115	425	13	1120	AEX-02K	0
200 A	202	85	79	343	290	12-23	160	97	175	63	115	452	15	2340	AEX-02K	0
							195	75	220	75	130	512	21		AEX-06K	2
250 A	255	109	104	409	355	12-25	195	75	220	75	130	548	25	3580	AEX-06K	0
300 A	310	131.5	127	487	400	16-25	195	75	220	75	130	606	30	5100	AEX-06K	0



NOTE  
Attachment  
·Cable gland( nylon), G 1/2, for  $\phi 6\sim 12$  cable  
·Plug

9	Actuator	Aluminum alloy die-cast cover	1	
8	Joint	SUS304/SCS13A	1	
7	Bracket	SCS13A	1	
6	O-ring	EPDM	2	
5	O-ring	EPDM	2	
4	Stem	SUS410	1	
3	Seat	EPDM	1	
2	Disc	PP	1	
1	Body	PP	1	
No	DESCRIPTION	MATERIALS	REQ'D	REMARKS

			APPR'D	H.F	TITLE			ValveDN: 40~300 A J10K Flanged-end (Wafer type) FP type electric actuated control valve			
			CHK'D	K.Y							
			DESIGN								
			DRAWN	P.O	MODEL	AEXFP**1QQE					
MARK	DATE	BY	DATE	'16-10-07	SCALE	NON	DWG No.	FP-*1QQE-EX6-EN			
REVISIONS											
MV-2546											