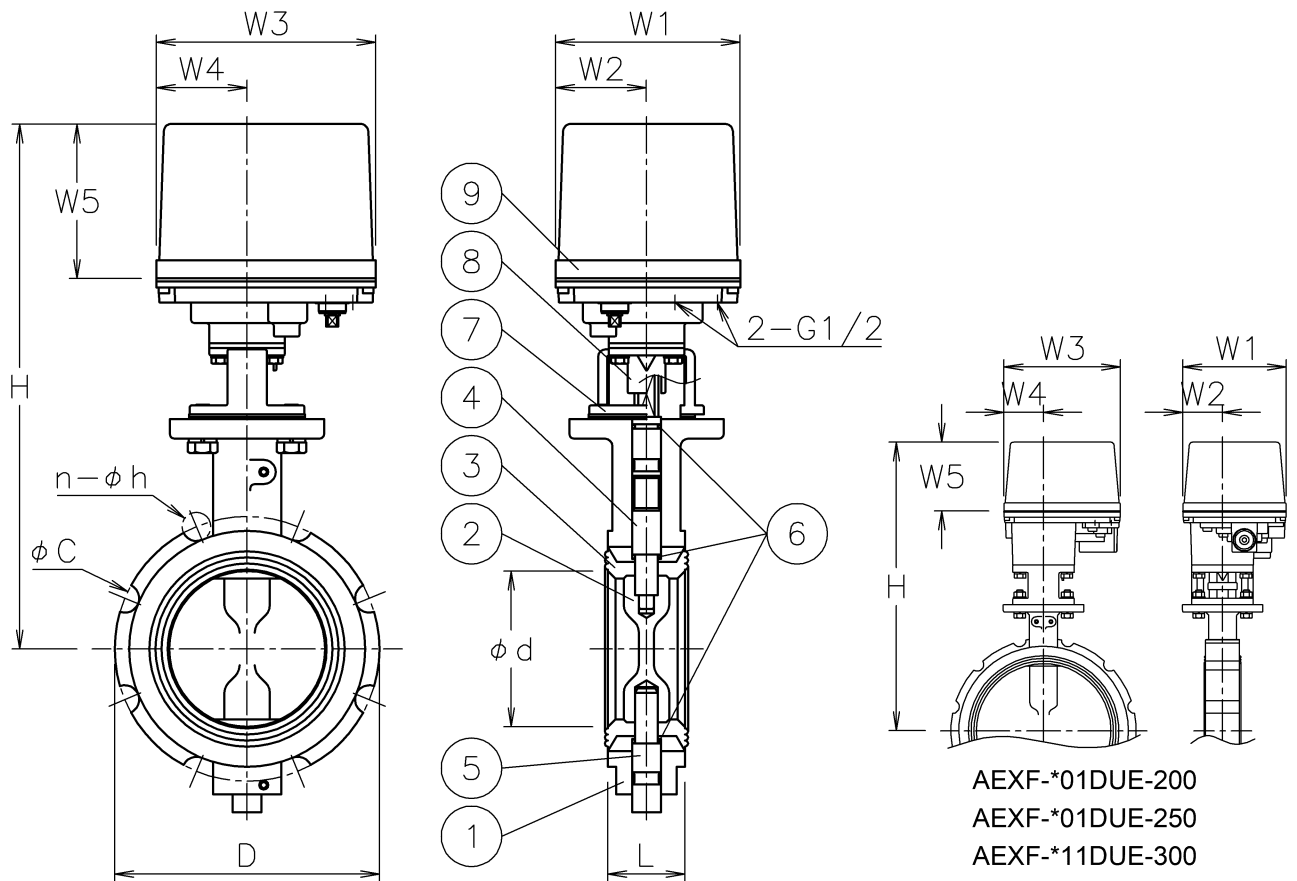


Size [mm]	d	L	D	C	n-h	W1	W2	W3	W4	W5	H	Weight [kg]	Cv	Actuator	Sizing code
50	52	41	115	120	4-19	122	60	145	60	102	273	4.6	159	AEX-360	0
65	64	44	135	140	4-19	122	60	145	60	102	290	6.1	266	AEX-360	0
80	78	44	145	150	8-19	122	60	145	60	102	313	6.7	457	AEX-700	0
100	103	51	175	175	8-19	122	60	145	60	102	347	8.5	860	AEX-700	0
125	129	54	206	210	8-23	160	97	175	63	115	399	15	1320	AEX-02K	0
150	154	54	231	240	8-23	160	97	175	63	115	412	16	2020	AEX-02K	0
200	205	64	290	290	12-23	160	97	175	63	115	453	25	3540	AEX-02K	1
						195	75	220	75	130	513	31		AEX-06K	0
250	254	64	350	355	12-25	195	75	220	75	130	545	37	5580	AEX-06K	0
300	305	76	414	400	16-25	195	75	220	75	130	583	72	8080	AEX-06K	1



**NOTE**

Actuator material: Aluminum alloy diecast cover.  
Size [mm] 300: Max 0.5MPa

**ATTACHMENT**

Cable gland (nylon), G1/2, for 6φ to 12φ cable.  
Plug.

9	Actuator		1	
8	Joint	SUS304/SCS13A	1	
7	Bracket	SCS13A	1	
6	O-ring	NBR	3	
5	Pin	SUS403	1	
4	Stem	SUS403	1	
3	Seat	EPDM	1	
2	Disk	SCS14/SUSF316	1	
1	Body	FCD450	1	
No	DESCRIPTION	MATERIALS	REQ'D	REMARKS

			APPR'D	H.F	TITLE	J10K Flanged-end (Wafer) F type electric actuated control valve					
			CHK'D	K.Y							
			DESIGN		MODEL	AEXF-**1DUE					
			DRAWN	S.O							
MARK	DATE	BY	DATE	'18-02-07	SCALE	NON	DWG No.	F-*1DUE-EX4-EN			
REVISIONS			 <b>NIPPON VALVE CONTROLS, INC.</b>								
MV-2685											