

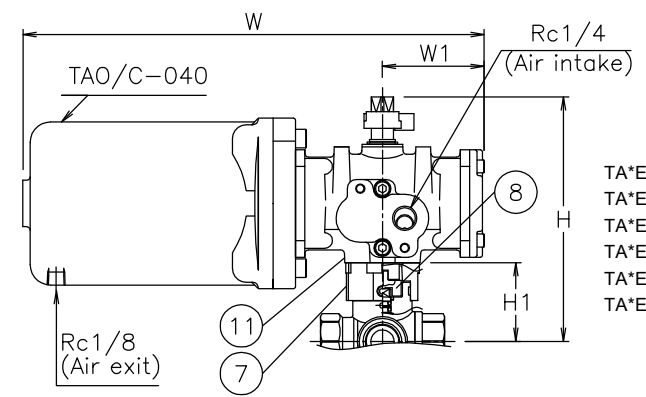
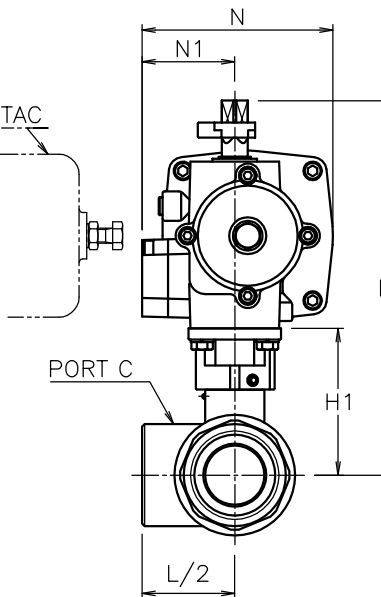
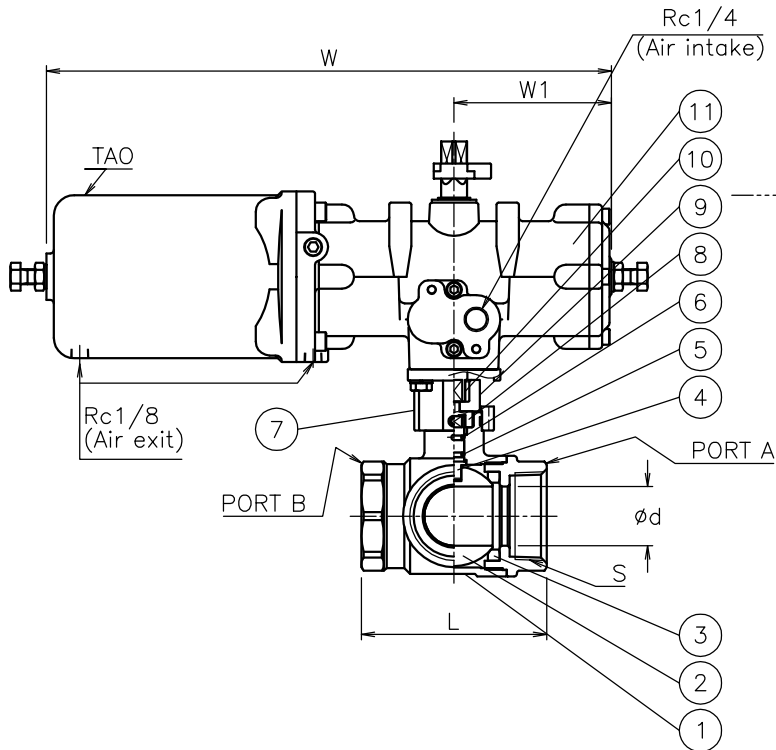
NOTE

- 1) Air supply: 0.4 to 0.5 Mpa. Max 0.7 Mpa.
- 2) Actuator operation

	Air to intake port	Spring return
TAO	P2	P1
TAC	P1	P2

This drawing is TAO.
Cylinder direction of TAC-040 is the same as TAO.

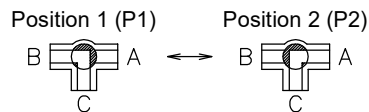
Size [mm]	S	d	L	H1	W	W1	N	N1	H	Weight [kg]	Cv P1/P2	Actuator		Sizing code
8	Rc 1/4	8.5	47	40	249	55	92	46	129	2.8	1.8	TAO-040	TAC-040	0
				40	249	55	92	46	129	2.7	2.2	TAO-040	TAC-040	0
10	Rc 3/8	9.2	47	53	305	85	103	50	176	3.6	2.2	TAO-050	TAC-050	2
				43	249	55	92	46	132	2.9	5	TAO-040	TAC-040	0
15	Rc 1/2	13	67	56	305	85	103	50	179	3.7	5	TAO-050	TAC-050	2
				46	249	55	92	46	136	3	8	TAO-040	TAC-040	0
20	Rc 3/4	16	70	59	305	85	103	50	182	3.9	8	TAO-050	TAC-050	2
				52	249	55	92	46	141	3.2	13	TAO-040	TAC-040	0
25	Rc 1	20	79	65	305	85	103	50	188	4.1	13	TAO-050	TAC-050	2
				61	249	55	92	46	151	3.5	22	TAO-040	TAC-040	0
32	Rc 1 1/4	25	89	74	305	85	103	50	197	4.4	22	TAO-050	TAC-050	2
				40	Rc 1 1/2	32	100	80	305	85	103	50	203	4.9
50	Rc 2	39	119	86	305	85	103	50	209	5.6	50	TAO-050	TAC-050	0



- TA*EL905UUT-008
- TA*EL905UUT-010
- TA*EL905UUT-015
- TA*EL905UUT-020
- TA*EL905UUT-025
- TA*EL905UUT-032

No	DESCRIPTION	MATERIALS	REQ'D	REMARKS
11	Actuator		1	TAO/C
10	Joint	SUS304	1	
9	Joint	ZDC2	1	
8	Joint	SUS304	1	
7	Bracket	ZDC2	1	
6	O-ring	NBR	1	
5	O-ring	FKM	1	
4	Stem	SUS316	1	Cr plated
3	Seat	PTFE	2	
2	Ball	SUS316	1	
1	Body	SCS14A	1	

Flow paths (Top view of valve)



MARK	DATE	BY	DATE	APPR'D	H.F	TITLE	Threaded End Rc (single-acting type) EL type pneumatic actuated 3 way ball valve		
				CHK'D	K.Y				
				DESIGN					
				DRAWN	S.O	MODEL	TAOEL9*5UUT TACEL9*5UUT		
			'19-06-17			SCALE	NON	DWG No.	EL-9*5UUT-TD7-EN
REVISIONS									
MV-2778									