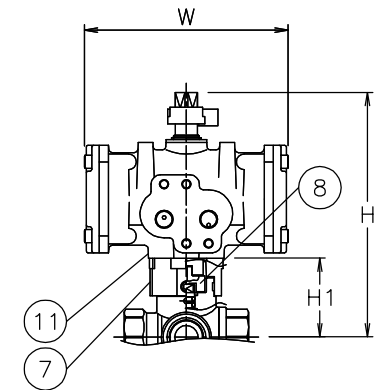
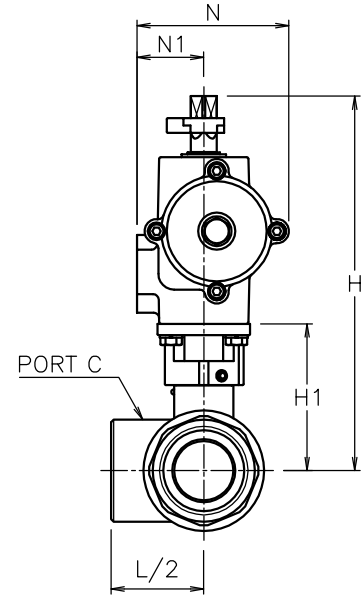
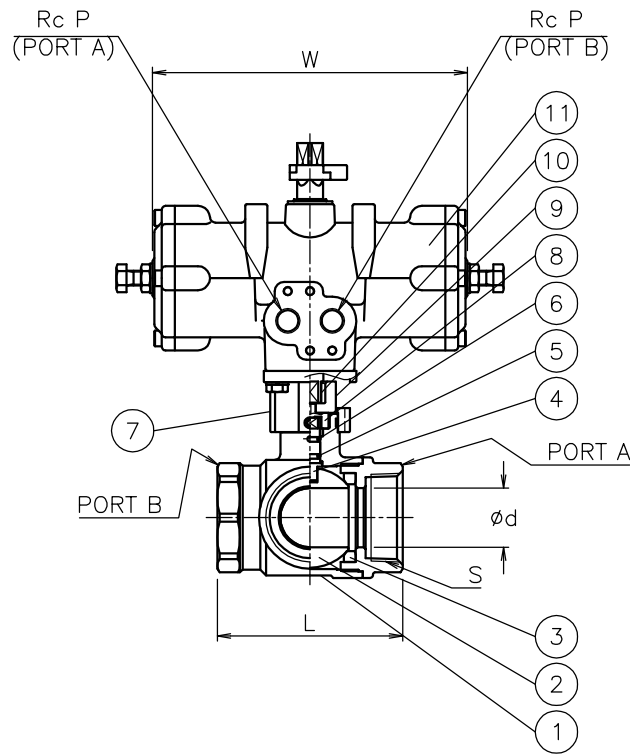


NOTE

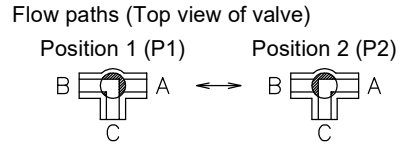
- 1) Air supply: 0.4 to 0.5 Mpa. Max 0.7 Mpa.
- 2) Actuator operation
 Air to port A : Position 1 (P1)
 Air to port B : Position 2 (P2)

Size [mm]	S	d	L	H1	P	W	N	N1	H	Weight [kg]	Cv P1/P2	Actuator	Sizing code
8	Rc 1/4	8.5	47	40	1/8	110	57	32	129	1.4	1.8	TAD-040	0
				40	1/8	110	57	32	129	1.3		TAD-040	0
10	Rc 3/8	9.2	47	53	1/4	170	82	36	176	1.9	2.2	TAD-050	2
				43	1/8	110	57	32	132	1.5		TAD-040	0
15	Rc 1/2	13	67	56	1/4	170	82	36	179	2	5	TAD-050	2
				46	1/8	110	57	32	136	1.6		TAD-040	0
20	Rc 3/4	16	70	59	1/4	170	82	36	182	2.2	8	TAD-050	2
				52	1/8	110	57	32	141	1.8		TAD-040	0
25	Rc 1	20	79	65	1/4	170	82	36	188	2.4	13	TAD-050	2
				61	1/8	110	57	32	151	2.1		TAD-040	0
32	Rc1 1/4	25	89	74	1/4	170	82	36	197	2.7	22	TAD-050	2
				80	1/4	170	82	36	203	3.2		TAD-050	0
40	Rc1 1/2	32	100	86	1/4	170	82	36	209	3.9	36	TAD-050	0
				86	1/4	204	95	38	224	4.8		TAD-063	2



TADEL905UUT-008
 TADEL905UUT-010
 TADEL905UUT-015
 TADEL905UUT-020
 TADEL905UUT-025
 TADEL905UUT-032

No	DESCRIPTION	MATERIALS	REQ'D	REMARKS
11	Actuator		1	TAD
10	Joint	SUS304	1	
9	Joint	ZDC2	1	
8	Joint	SUS304	1	
7	Bracket	ZDC2	1	
6	O-ring	NBR	1	
5	O-ring	FKM	1	
4	Stem	SUS316	1	Cr plated
3	Seat	PTFE	2	
2	Ball	SUS316	1	
1	Body	SCS14A	1	



APPR'D	H.F	TITLE	Threaded End Rc (double-acting type) EL type pneumatic actuated 3 way ball valve		
CHK'D	K.Y	MODEL	TADEL9*5UUT		
DESIGN		SCALE	NON	DWG No.	EL-9*5UUT-TA7-EN
DRAWN	S.O				
MARK	DATE	BY	DATE	'19-06-18	
REVISIONS		NIPPON VALVE CONTROLS, INC.			
MV-2778					