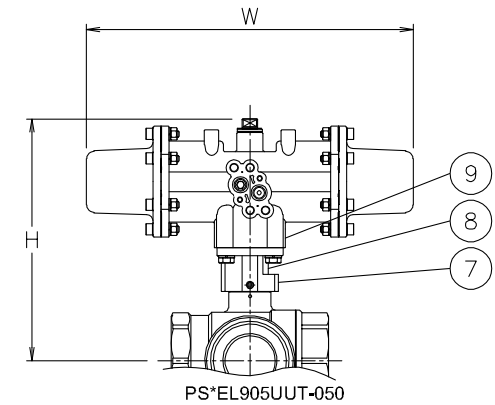
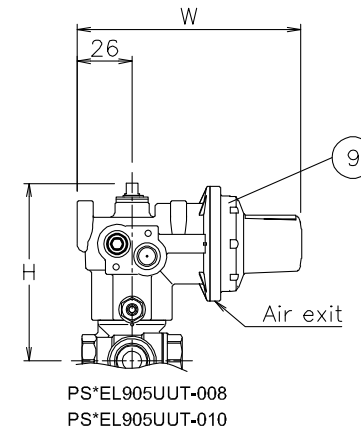
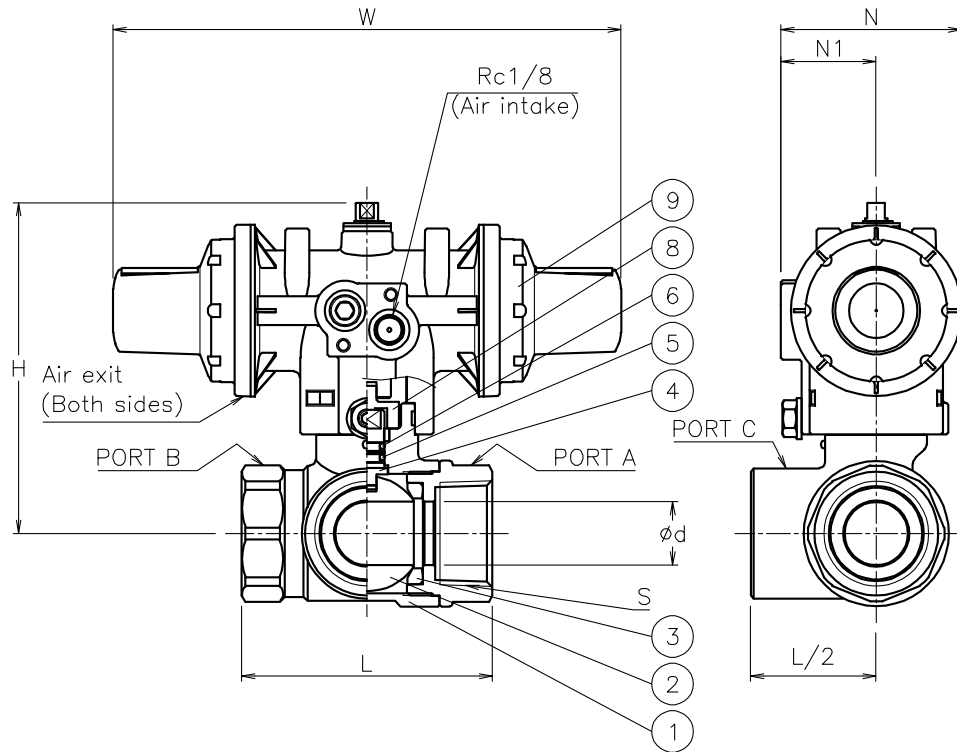


**NOTE**

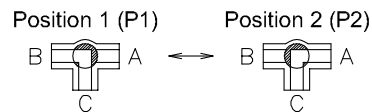
- 1) Air supply: 0.4 to 0.5 Mpa. Max 0.7 Mpa.
- 2) Actuator operation

	Air to intake port	Spring return
PSO	P2	P1
PSC	P1	P2

Size [mm]	S	d	L	W	N	N1	H	Weight [kg]	Cv P1/P2	Actuator		Sizing code
8	Rc 1/4	8.5	47	106	57	30	84	0.6	1.8	PSO-03S	PSC-03S	0
10	Rc 3/8	9.2	47	106	57	30	84	0.6	2.2	PSO-03S	PSC-03S	0
15	Rc 1/2	13	67	160	57	30	96	0.9	5	PSO-03D	PSC-03D	0
20	Rc 3/4	16	70	160	57	30	99	1	8	PSO-03D	PSC-03D	0
25	Rc 1	20	79	160	57	30	105	1.2	13	PSO-03D	PSC-03D	0
32	Rc1 1/4	25	89	185	68	36	131	1.8	22	PSO-04D	PSC-04D	0
40	Rc1 1/2	32	100	185	68	36	136	2.2	36	PSO-04D	PSC-04D	0
50	Rc 2	39	119	247	82	44	183	3.8	50	PSO-05D	PSC-05D	0



**Flow paths (Top view of valve)**



9	Actuator	PPS body	1	PSO/C
8	Joint	SUS304/ZDC2	1	
7	Bracket	ZDC2	1	
6	O-ring	NBR	1	
5	O-ring	FKM	1	
4	Stem	SUS316	1	Cr plated
3	Seat	PTFE	2	
2	Ball	SUS316	1	
1	Body	SCS14A	1	
No	DESCRIPTION	MATERIALS	REQ'D	REMARKS

			APPR'D	K.Y.	TITLE	Threaded End Rc (single-acting type) EL type pneumatic actuated 3 way ball valve							
			CHK'D	K.Y.		MODEL	PSOEL905UUT PSC-03S						
			DESIGN		DRAWN		PSOEL905UUT						
			DATE	T.A.			SCALE	NON	DWG No.	EL-905UUT-DA1-EN			
MARK	DATE	BY	DATE	'22-12-07									
REVISIONS						NIPPON VALVE CONTROLS, INC.							
MV-2987													