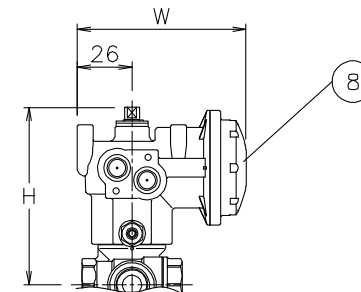
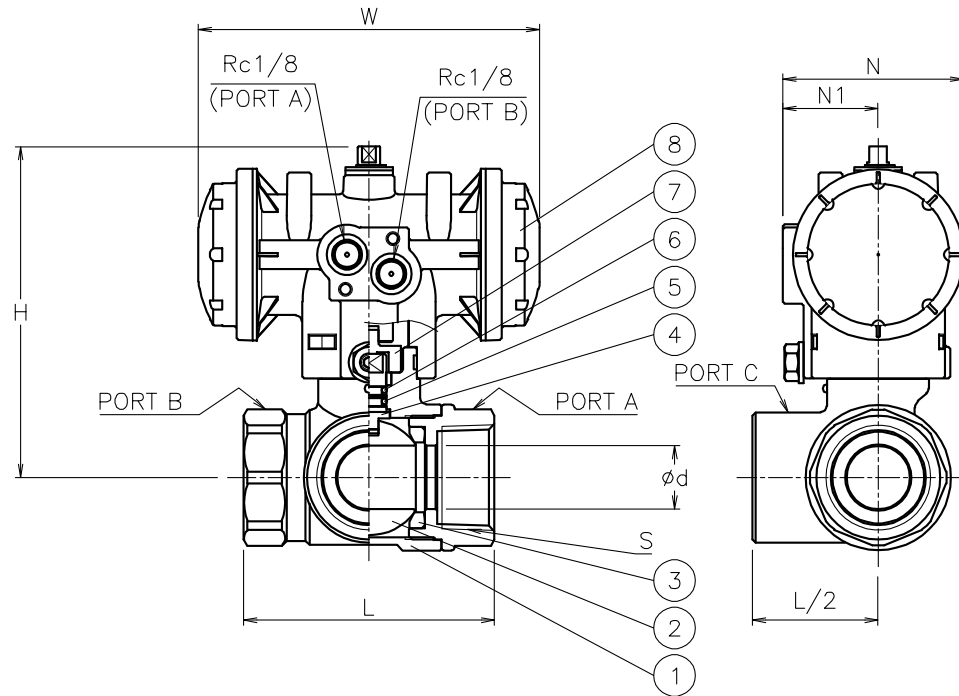


NOTE

- 1) Air supply: 0.4 to 0.5 Mpa. Max 0.7 Mpa.
- 2) Actuator operation
 Air to port A: Position 1 (P1)
 Air to port B: Position 2 (P2)
- (a) Coupling OD must be less than 14.5 mm.

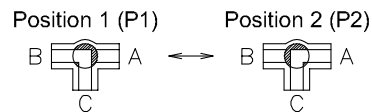
Size [mm]	S	d	L	W	N	N1	H	Weight [kg]	Cv P1/P2	Actuator	Sizing code
8	Rc 1/4	8.5	47	80	57	30	84	0.5	1.8	PND-03S	0
10	Rc 3/8	9.2	47	80	57	30	84	0.5	2.2	PND-03S	0
15	Rc 1/2	13	67	80	57	30	87	0.7	5	PND-03S	0
20	Rc 3/4	16	70	80	57	30	91	0.8	8	PND-03S	0
25	Rc 1	20	79	108	57	30	105	1.1	13	PND-03D	0
32	Rc1 1/4	25	89	108	57	30	114	1.4	22	PND-03D	0
40	Rc1 1/2	32	100	128	68	36	136	2.1	36	PND-04D	0
50	Rc 2	39	119	128	68	36	142	2.8	50	PND-04D	0



PNDEL905UUT-008
 PNDEL905UUT-010
 PNDEL905UUT-015
 PNDEL905UUT-020

No	DESCRIPTION	MATERIALS	REQ'D	REMARKS
8	Actuator	PPS body	1	PND (a)
7	Joint	SUS304	1	
6	O-ring	NBR	1	
5	O-ring	FKM	1	
4	Stem	SUS316	1	Cr plated
3	Seat	PTFE	2	
2	Ball	SUS316	1	
1	Body	SCS14A	1	

Flow paths (Top view of valve)



			APPR'D	K.Y	TITLE	Threaded End Rc (double-acting type) EL type pneumatic actuated 3 way ball valve				
			CHK'D	K.Y		MODEL	PNDEL905UUT			
			DESIGN		SCALE		NON	DWG No.	EL-905UUT-NA1-EN	
MARK	DATE	BY	DATE	T.A						
REVISIONS										
MV-2987										