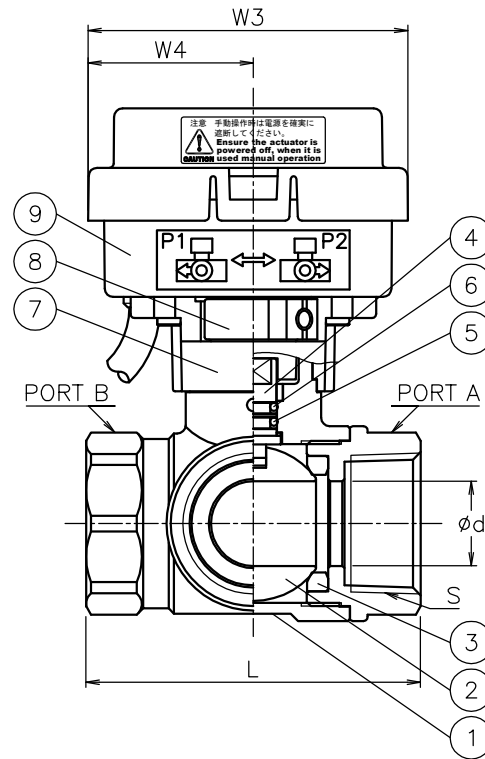
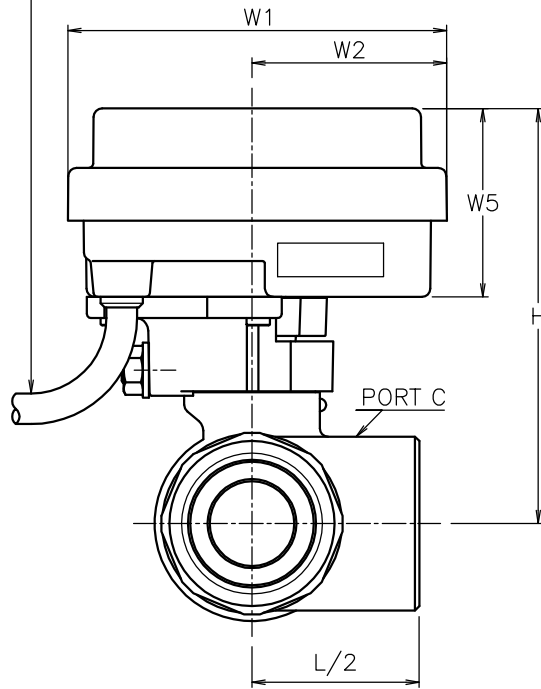
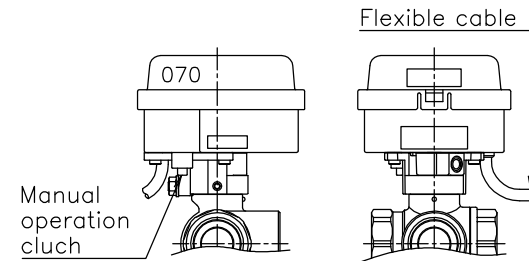


Size [mm]	S	d	L	W1	W2	W3	W4	CD2			CM1, CM2			Cv P1/P2	Actuator			Sizing code
								W5	H	kg	W5	H	kg		CD2-030	CM1-030	CM2-030	
8	Rc 1/4	8.5	47	90	46	76	39	44.5	86	0.8	44.5	86	0.7	1.8	CD2-030	CM1-030	CM2-030	0
10	Rc 3/8	9.2	47	90	46	76	39	44.5	86	0.8	44.5	86	0.7	2.2	CD2-030	CM1-030	CM2-030	0
15	Rc 1/2	13	67	90	46	76	39	44.5	89	1	44.5	89	0.9	5	CD2-030	CM1-030	CM2-030	0
20	Rc 3/4	16	70	90	46	76	39	44.5	93	1.1	44.5	93	1	8	CD2-030	CM1-030	CM2-030	0
25	Rc 1	20	79	90	46	76	39	44.5	98	1.3	44.5	98	1.2	13	CD2-030	CM1-030	CM2-030	0
				105	55	96	48	84	142	1.4	61	119	1.5		CD2-070	CM1-070	CM2-070	2
32	Rc1 1/4	25	89	105	55	96	48	84	151	1.8	61	128	1.8	22	CD2-070	CM1-070	CM2-070	0
40	Rc1 1/2	32	100	105	55	96	48	84	157	2.2	61	134	2.3	36	CD2-070	CM1-070	CM2-070	0

Flexible cable
5 leads 0.5 mm² L=500 mm

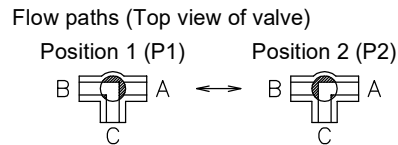


NOTE
Press the actuator clutch and move the joint to manually operate the CD2-070 (CM*-070).



CD2(CM*)EL*25UUT-025
CD2(CM*)EL*05UUT-032
CD2(CM*)EL*05UUT-040

No	DESCRIPTION	MATERIALS	REQ'D	REMARKS
9	Actuator	PC Case	1	
8	Joint	PPS	1	
7	Bracket	PPS	1	
6	O-ring	NBR	1	
5	O-ring	FKM	1	
4	Stem	SUS316	1	Cr plated
3	Seat	PTFE	2	
2	Ball	SUS316	1	
1	Body	SCS14A	1	



MARK	DATE	BY	DATE	SCALE	TITLE	MODEL
			'19-07-16	NON	Threaded End Rc EL type motorized 3 way ball valve	CD2EL**5UUT CM1EL**5UUT CM2EL**5UUT
REVISIONS MV-2778					DWG No.	EL-*5UUT-CD14-EN

Upro NIPPON VALVE CONTROLS, INC.