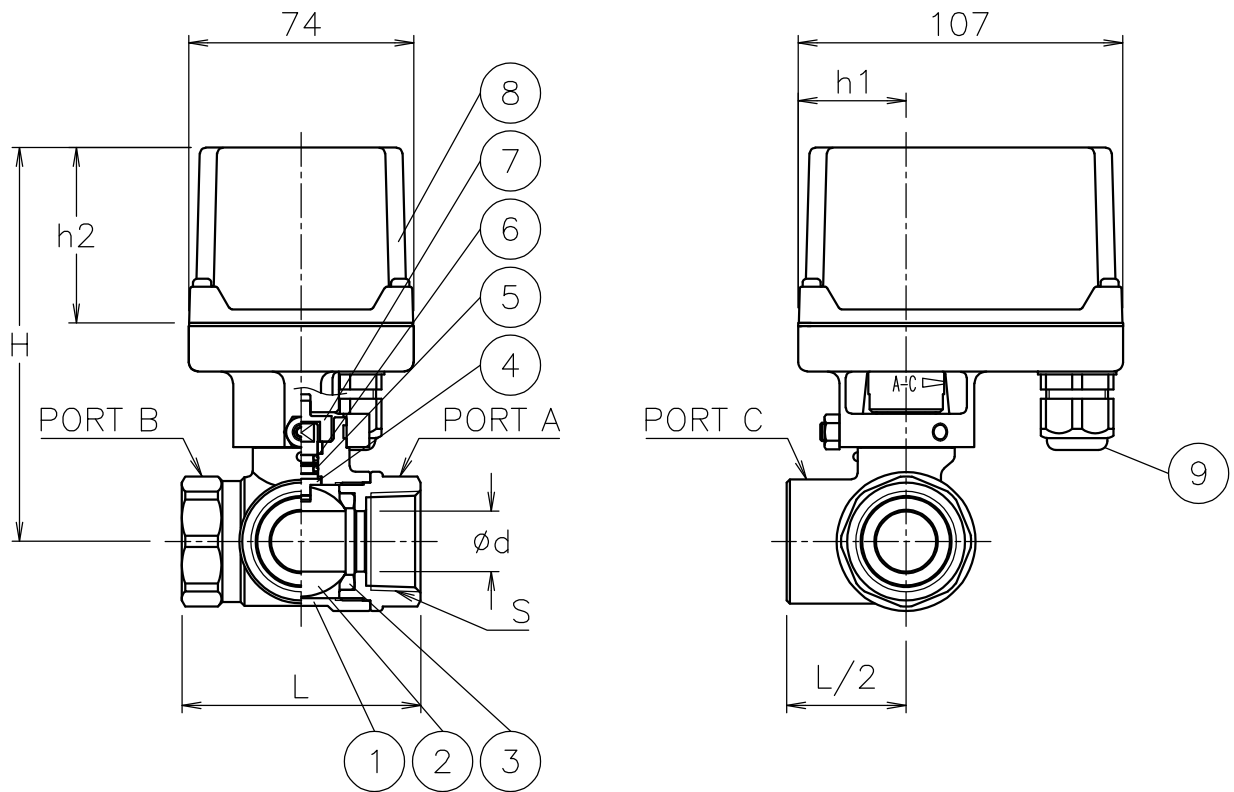


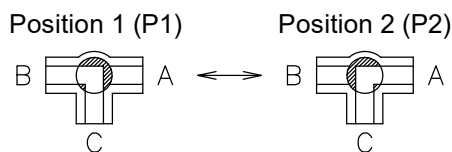
Size [mm]	S	d	L	h1	h2	H	Weight [kg]	Cv P1/P2	Actuator		Sizing code
8	Rc 1/4	8.5	47	36	58	119	1.3	1.8	AM1-030	AM2-030	0
10	Rc 3/8	9.2	47	36	58	119	1.3	2.2	AM1-030	AM2-030	0
15	Rc 1/2	13	67	36	58	122	1.4	5	AM1-030	AM2-030	0
									AM1-070	AM2-070	2
20	Rc 3/4	16	70	36	58	125	1.5	8	AM1-030	AM2-030	0
									AM1-070	AM2-070	2
25	Rc 1	20	79	36	58	131	1.8	13	AM1-030	AM2-030	0
									AM1-070	AM2-070	2
32	Rc1 1/4	25	89	36	58	140	2.1	22	AM1-070	AM2-070	0
				53	85	181	2.6		AM1-180	AM2-180	2
40	Rc1 1/2	32	100	36	58	146	2.5	36	AM1-070	AM2-070	0
				53	85	187	3		AM1-180	AM2-180	2
50	Rc 2	39	119	53	85	193	3.8	50	AM1-180	AM2-180	0



NOTE

(a) Cable acceptance 5φ to 10.5φ mm.

Flow paths (Top view of valve)



9	Cable gland	NYLON 6	1	G3/8 (a)
8	Actuator	ADC12/PC Cover	1	
7	Joint	SUS304	1	
6	O-ring	NBR	1	
5	O-ring	FKM	1	
4	Stem	SUS316	1	Cr plated
3	Seat	PTFE	2	
2	Ball	SUS316	1	
1	Body	SCS14A	1	
No	DESCRIPTION	MATERIALS	REQ'D	REMARKS

			APPR'D	H.F	TITLE	Threaded End Rc EL type motorized 3 way ball valve					
			CHK'D	K.Y							
			DESIGN		MODEL	AM1EL**5UUT AM2EL**5UUT					
			DRAWN	S.O							
MARK	DATE	BY	DATE	'21-03-22	SCALE	NON	DWG No.	EL-*5UUT-AM14-EN			
REVISIONS											
MV-2890											