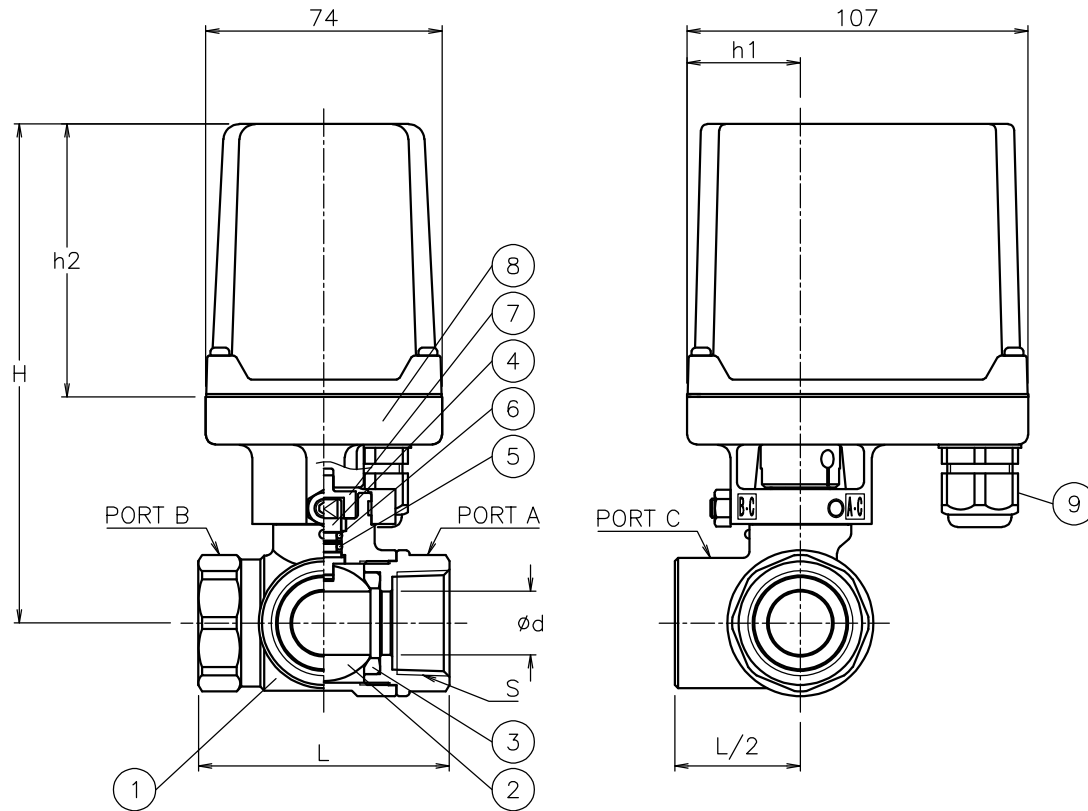
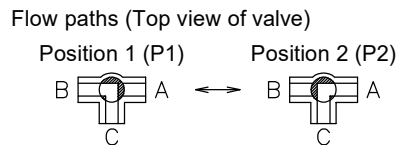


Size [mm]	S	d	L	h1	AH1, DM0				DM2			Cv P1/P2	Actuator			Sizing code
					h2	H	kg		h2	H	kg		AH1-030	DM0-030	DM2-030	
							AH1	DM0								
8	Rc 1/4	8.5	47	36	85	146	1.4	1.6	58	119	1.2	1.8	AH1-030	DM0-030	DM2-030	0
10	Rc 3/8	9.2	47	36	85	146	1.4	1.6	58	119	1.2	2.2	AH1-030	DM0-030	DM2-030	0
15	Rc 1/2	13	67	36	85	149	1.5	1.7	58	122	1.3	5	AH1-030	DM0-030	DM2-030	0
20	Rc 3/4	16	70	36	85	152	1.6	1.8	58	125	1.4	8	AH1-030	DM0-030	DM2-030	0
25	Rc 1	20	79	36	85	158	1.9	2.1	58	131	1.7	13	AH1-030	DM0-030	DM2-030	0
							2.1		85	158	2.1		AH1-070	DM0-070	DM2-070	2
32	Rc1 1/4	25	89	36	85	167	2.4	2.4	85	167	2.4	22	AH1-070	DM0-070	DM2-070	0
							2.8	2.8	85	173	2.8		AH1-070	DM0-070	DM2-070	0
40	Rc1 1/2	32	100	36	85	173	2.8	2.8	85	173	2.8	36	AH1-180	DM0-180	DM2-180	0
							3.2	3	85	187	3		AH1-180	DM0-180	DM2-180	2
50	Rc 2	39	119	53	85	193	4	3.8	85	193	3.8	50	AH1-180	DM0-180	DM2-180	0



NOTE
(a) Cable acceptance 5φ to 10.5φ mm.

No	DESCRIPTION	MATERIALS	REQ'D	REMARKS
9	Cable gland	NYLON 6	1	G3/8 (a)
8	Actuator	ADC12/PC Cover	1	
7	Joint	SUS304	1	
6	O-ring	NBR	1	
5	O-ring	FKM	1	
4	Stem	SUS316	1	Cr plated
3	Seat	PTFE	2	
2	Ball	SUS316	1	
1	Body	SCS14A	1	



MARK	DATE	BY	DATE	SCALE	NON	DWG No.	EL-*5UUT-CM15-EN
REVISIONS							
MV-2890				NIPPON VALVE CONTROLS, INC.			