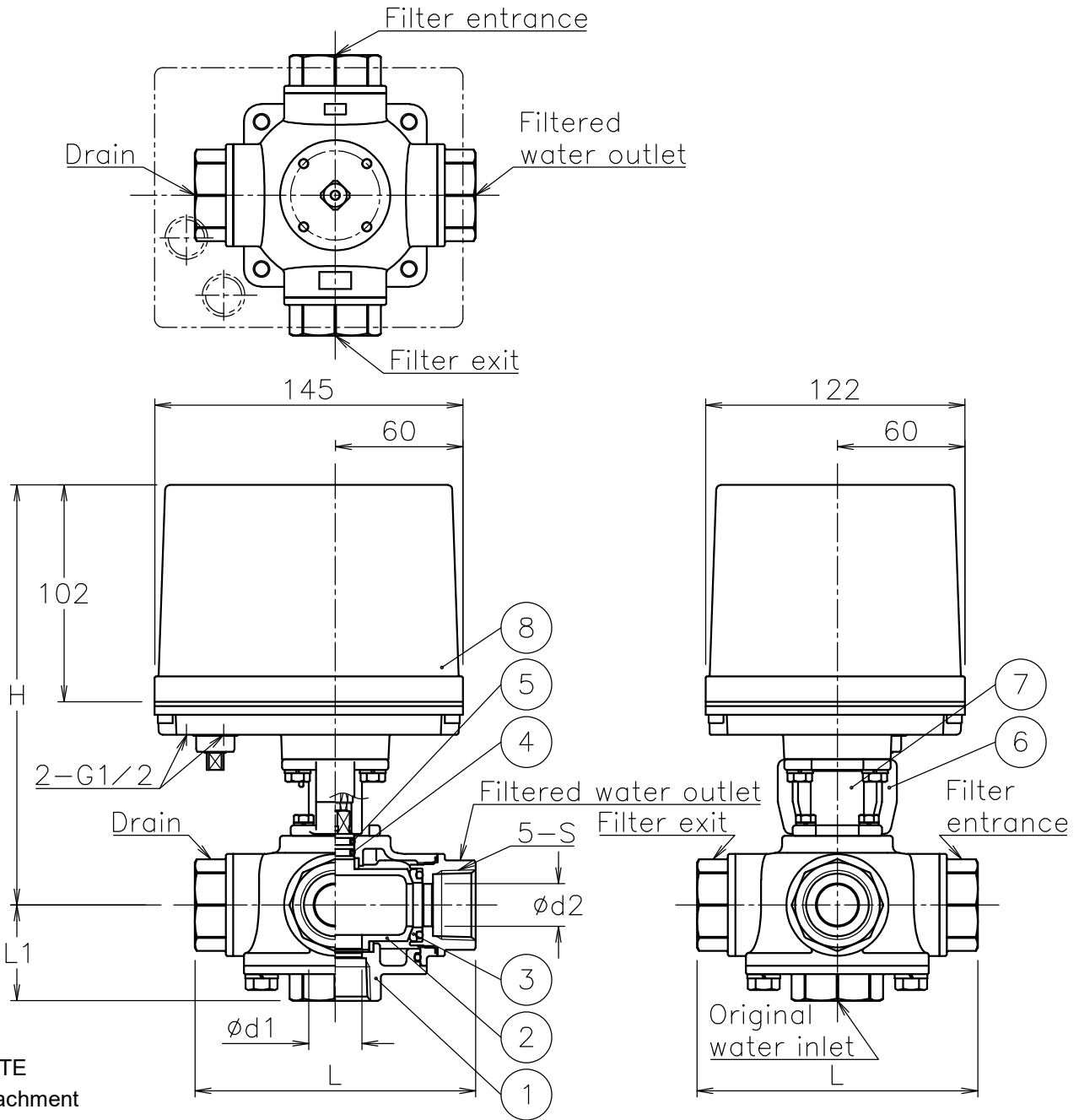


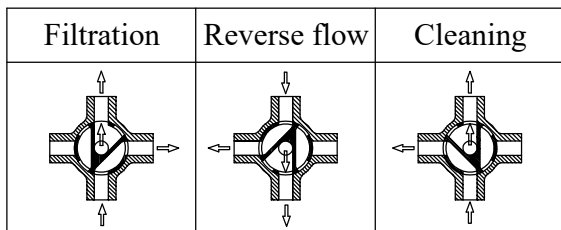
Valve DN	S	d1	d2	L	L1	H	Weight (kg)	Actuator	Sizing code
25 A	Rc 1	25	20	132	45	198	4.5	AE3-120	0



NOTE
Attachment

- Cable gland(nylon), G1/2, for Ø6-12 cable.
- Plug.

Flow paths (Top view of valve)



No	DESCRIPTION	MATERIALS	REQ'D	REMARKS
8	Actuator	Aluminum alloy die-cast cover	1	
7	Joint	SUS304	1	
6	Bracket	SCS13A	1	
5	O-ring	NBR	1	
4	O-ring	EPDM	1	
3	Seat	PTFE	2	
2	Ball	SCS13A	1	
1	Body	SCS13A	1	

APPR'D	H.F	TITLE	Treated End Rc Valve DN: 25 A						
CHK'D	K.Y	MODEL		AE3E5*05TTT-R					
DESIGN		SCALE	NON	DWG No.	E5-05TTT-R-AE6-EN				
DRAWN	P.O								
MARK	DATE	BY	DATE	'16-04-01					
REVISIONS									
MV-2506									