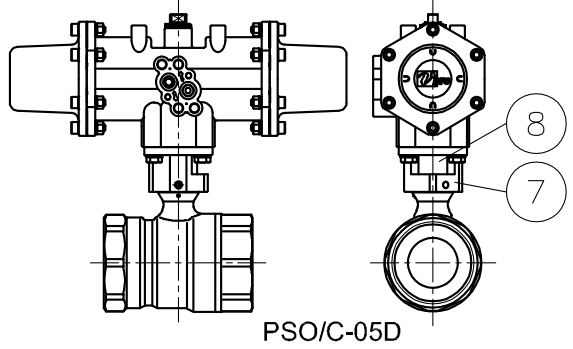
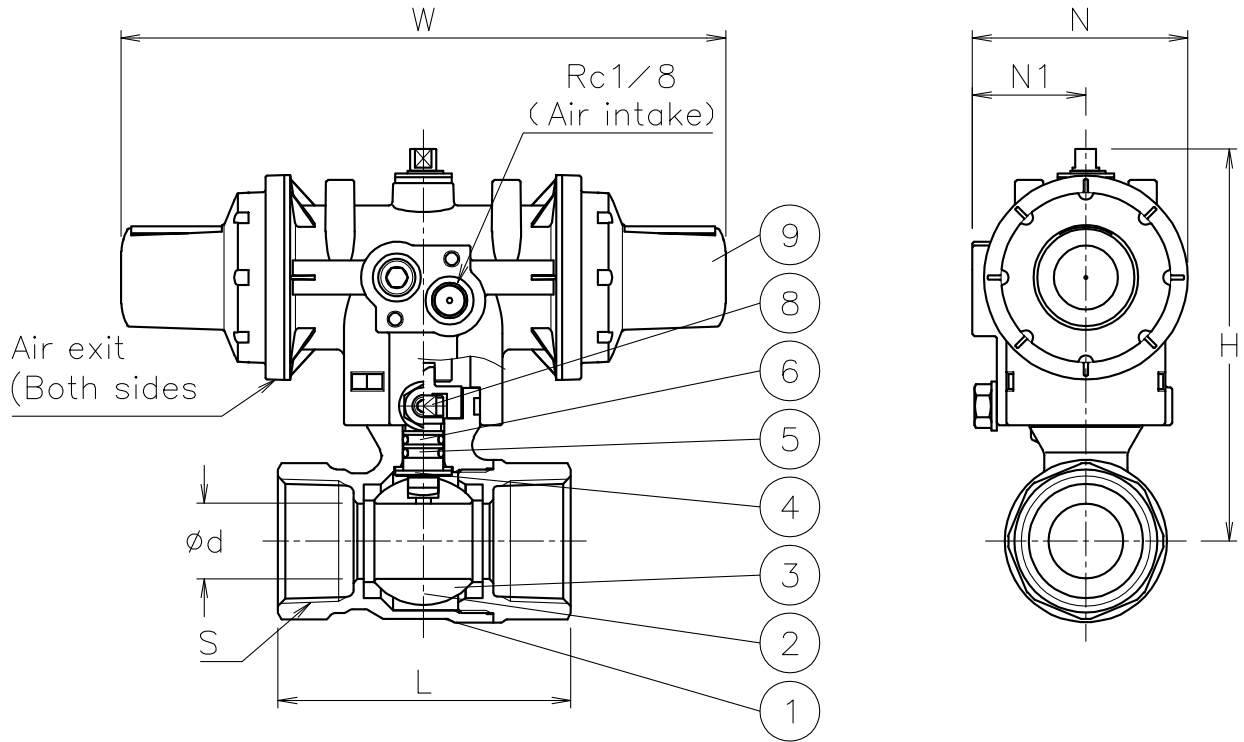


Valve DN	S	d	L	W	N	N1	H	Weight (kg)	Cv	Actuator		Sizing code
15 A	Rc 1/2	13	59	160	57	30	97	0.6	12	PSO-03D	PSC-03D	0
20 A	Rc 3/4	15	66	160	57	30	100	0.7	16	PSO-03D	PSC-03D	0
25 A	Rc 1	20	78	160	57	30	104	0.9	28	PSO-03D	PSC-03D	0
32 A	Rc1 1/4	25	87	185	68	36	131	1.4	47	PSO-04D	PSC-04D	0
40 A	Rc1 1/2	32	96	185	68	36	136	1.7	83	PSO-04D	PSC-04D	0
50 A	Rc 2	38	109	247	82	44	183	3.1	115	PSO-05D	PSC-05D	0



NOTE

- Air supply : 0.4~0.5 Mpa max 0.7 Mpa
- Actuator operation
 - PSO serie
 - Air to intake port : OPEN
 - Spring return : SHUT
 - PSC serie
 - Air to intake port : SHUT
 - Spring return : OPEN
- Coupling OD must be less than $\phi 14.5$

9	Actuator	PPS body	1	PSO/C
8	Joint	SUS304/ZDC2	1	
7	Bracket	ZDC2	1	
6	O' RING	NBR	1	
5	O' RING	FKM	1	
4	Stem	Dezincification resistant brass	1	
3	Seat	F-PTFE	2	
2	Ball	C3604BD/C3771BE	1	PLTD
1	Body	C3771BE	1	PLTD
No	DESCRIPTION	MATERIALS	REQ'D	REMARKS

			APPR'D	K.Y	TITLE Threaded End Rc (single-acting type) E type pneumatic actuated ball valve Valve DN: 15~50 A							
			CHK'D	K.Y								
			DESIGN									
			DRAWN	T.A	MODEL	PSOE-905YYF		PSCE-905YYF				
MARK	DATE	BY	DATE	'22-12-07	SCALE	NON	DWG No.	E-905YYF-DA1-EN				
REVISIONS												
MV-2987												