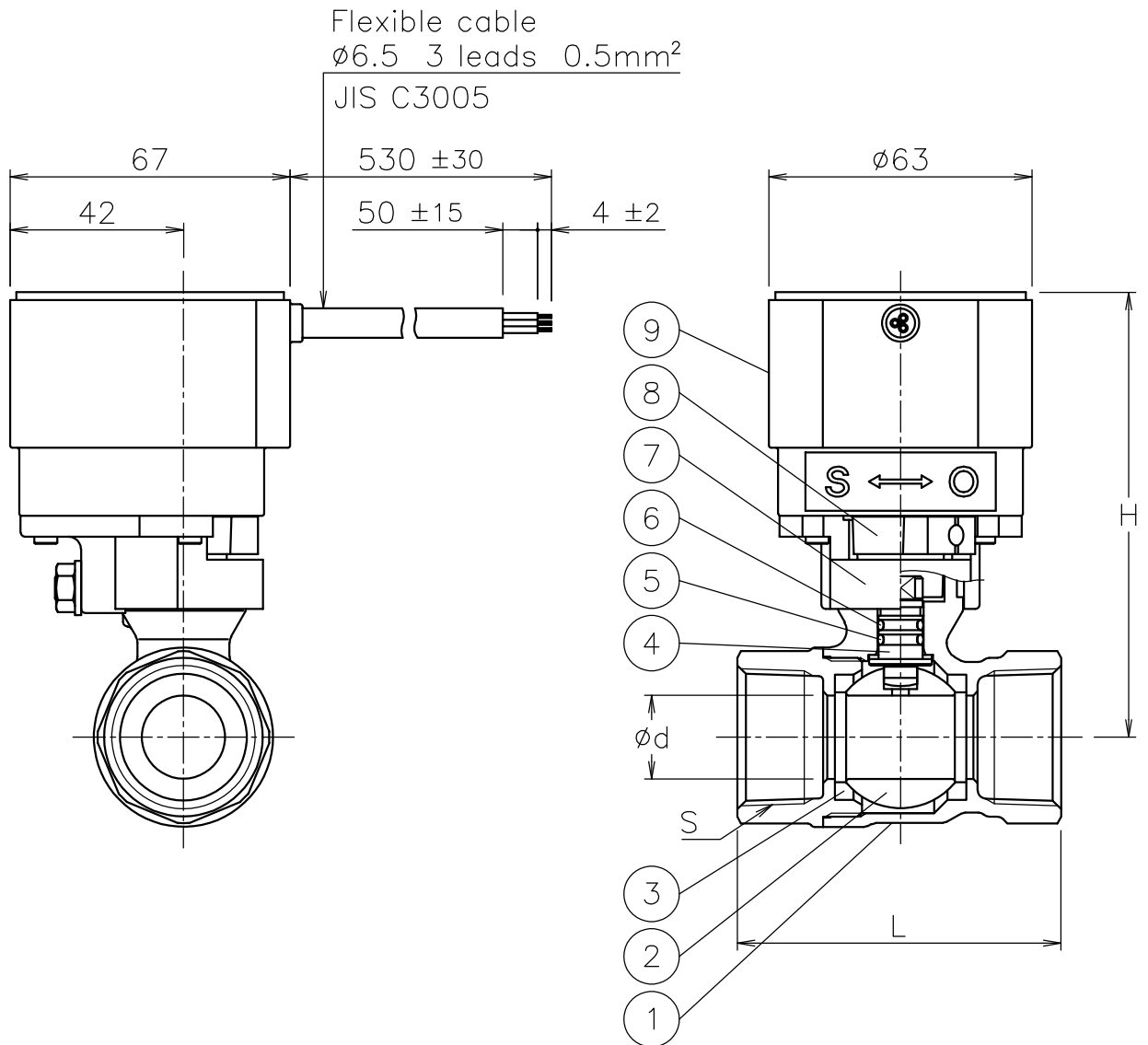


Valve DN	S	d	L	H	Weight (kg)	Cv	Actuator	Sizing code
15 A	Rc 1/2	13	59	100	0.6	12	PM1-030	0
20 A	Rc 3/4	15	66	102	0.7	16	PM1-030	0
25 A	Rc 1	20	78	107	0.9	28	PM1-030	0



9	Actuator	PC Case	1	
8	Joint	PPS	1	
7	Bracket	PPS	1	
6	O' RING	NBR	1	
5	O' RING	FKM	1	
4	Stem	Dezincification resistant brass	1	
3	Seat	F-PTFE	2	
2	Ball	C3604BD/C3771BE	1	PLTD
1	Body	C3771BE	1	PLTD
No	DESCRIPTION	MATERIALS	REQ'D	REMARKS

			APPR'D	H.F	TITLE	Threaded End Rc ValveDN: 15~25 A			
			CHK'D	K.Y		E type motorized ball valve			
			DESIGN		MODEL	PM1E-*05YYF			
			DRAWN	S.O					
MARK	DATE	BY	DATE	'14-05-14	SCALE	NON	DWG No.	E-05YYF-PM4-EN	
REVISIONS									
MV-2405									