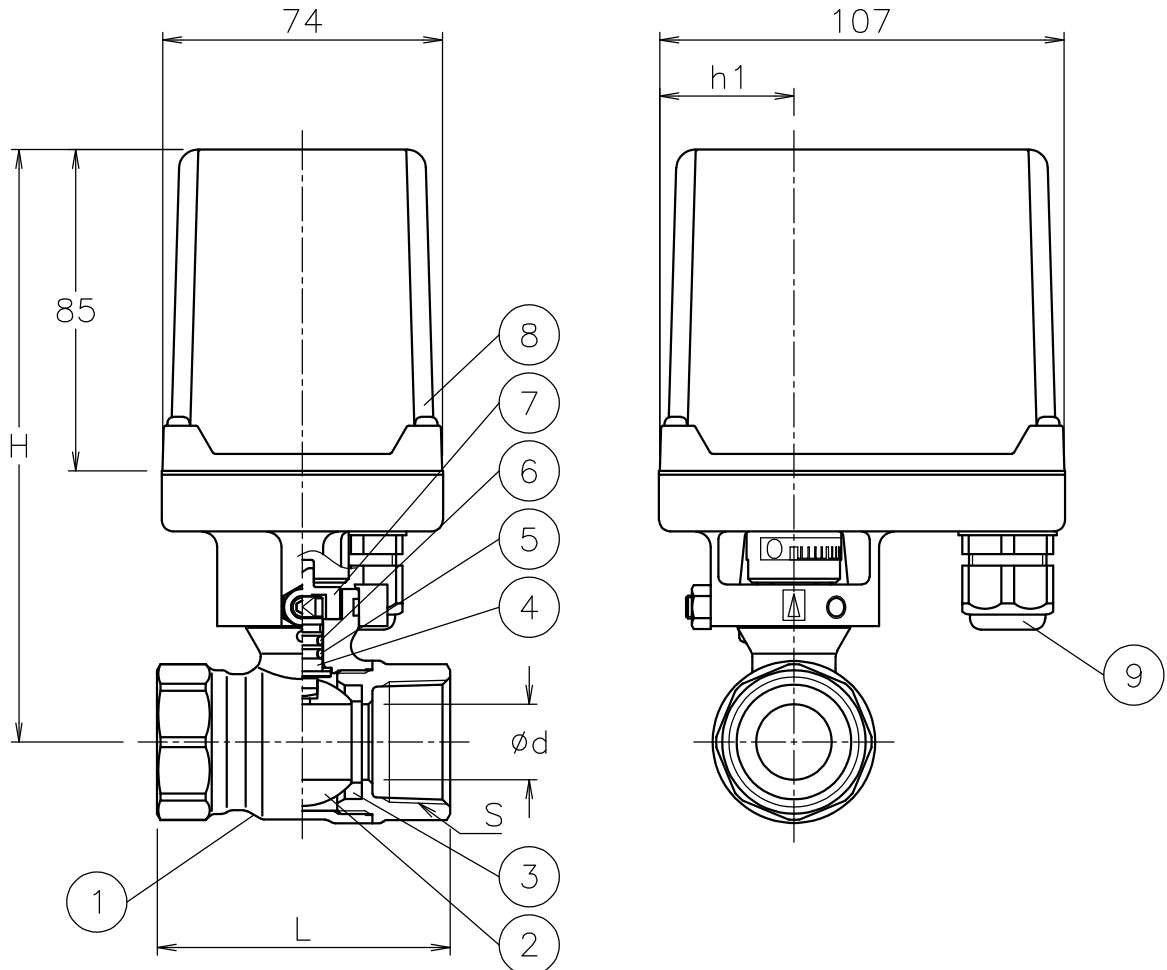



Size [mm]	S	d	L	h1	H	Weight [kg]	Cv	Actuator	Sizing code
15	Rc 1/2	13	59	36	150	1.6	12	PAX-050	0
20	Rc 3/4	15	66	36	153	1.7	16	PAX-050	0
25	Rc 1	20	78	36	157	1.9	28	PAX-050	0
32	Rc1 1/4	25	87	53	181	2.3	47	PAX-120	0
40	Rc1 1/2	32	96	53	187	2.6	83	PAX-120	0
50	Rc 2	38	109	53	193	3.2	115	PAX-120	0



NOTE
(a) Cable acceptance 5 ϕ to 10.5 ϕ mm.

9	Cable gland	NYLON 6	1	G 3/8 (a)
8	Actuator	ADC12/PC Cover	1	
7	Joint	SUS304	1	
6	O-ring	NBR	1	
5	O-ring	FKM	1	
4	Stem	Dezincification resistance brass	1	
3	Seat	F-PTFE	2	
2	Ball	C3604BD/C3771BE	1	PLTD
1	Body	C3771BE	1	PLTD
No	DESCRIPTION	MATERIALS	REQ'D	REMARKS

			APPR'D	H.F	TITLE	Threaded End Rc E type motorized control valve				
			CHK'D	K.Y						
			DESIGN		MODEL	PAXE-*05YYF				
			DRAWN	S.O						
MARK	DATE	BY	DATE	'21-03-16	SCALE	NON	DWG No.	E-05YYF-AX2-EN		
REVISIONS			 NIPPON VALVE CONTROLS, INC.							
MV-2890										