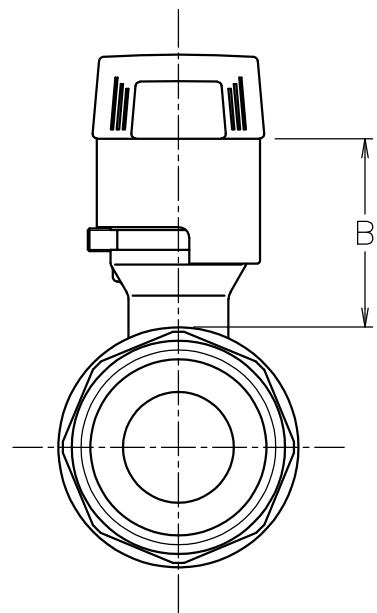
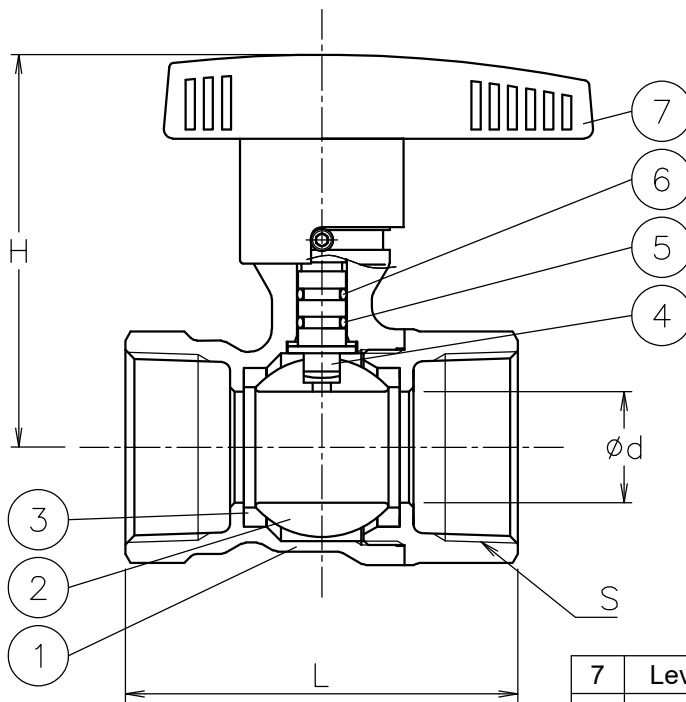
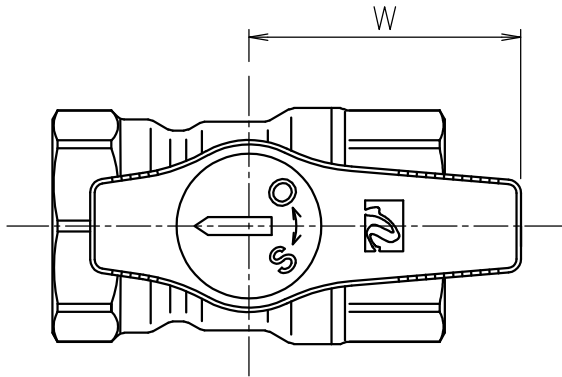



Valve DN	S	d	L	W	B	H	Weight (kg)	Cv	Actuator
15 A	Rc 1/2	13	59	40	37	64	0.3	12	Lever
20 A	Rc 3/4	15	66	40	36	67	0.4	16	Lever
25 A	Rc 1	20	78	40	37	71	0.6	28	Lever
32 A	Rc1 1/4	25	87	60	42	87	0.8	47	Lever
40 A	Rc1 1/2	32	96	60	44	92	1.2	83	Lever
50 A	Rc 2	38	109	60	44	98	1.7	115	Lever



7	Lever handle	SPS	1	
6	O-ring	NBR	1	
5	O-ring	FKM	1	
4	Stem	Dezincification resistance brass	1	
3	Seat	F-PTFE	2	
2	Ball	C3604BD/C3771BE	1	PLTD
1	Body	C3771BE	1	PLTD
No	DESCRIPTION	MATERIALS	REQ'D	REMARKS

			APPR'D	H.F	TITLE	Threaded End Rc Valve DN: 15~50 A E type ball valve				
			CHK'D	K.Y						
			DESIGN		MODEL	MACE-T-5YYF				
			DRAWN	P.O						
MARK	DATE	BY	DATE	'16-04-18	SCALE	NON	DWG No.	E-5YYF-MA1a-EN		
REVISIONS			 NIPPON VALVE CONTROLS, INC.							
MV-										