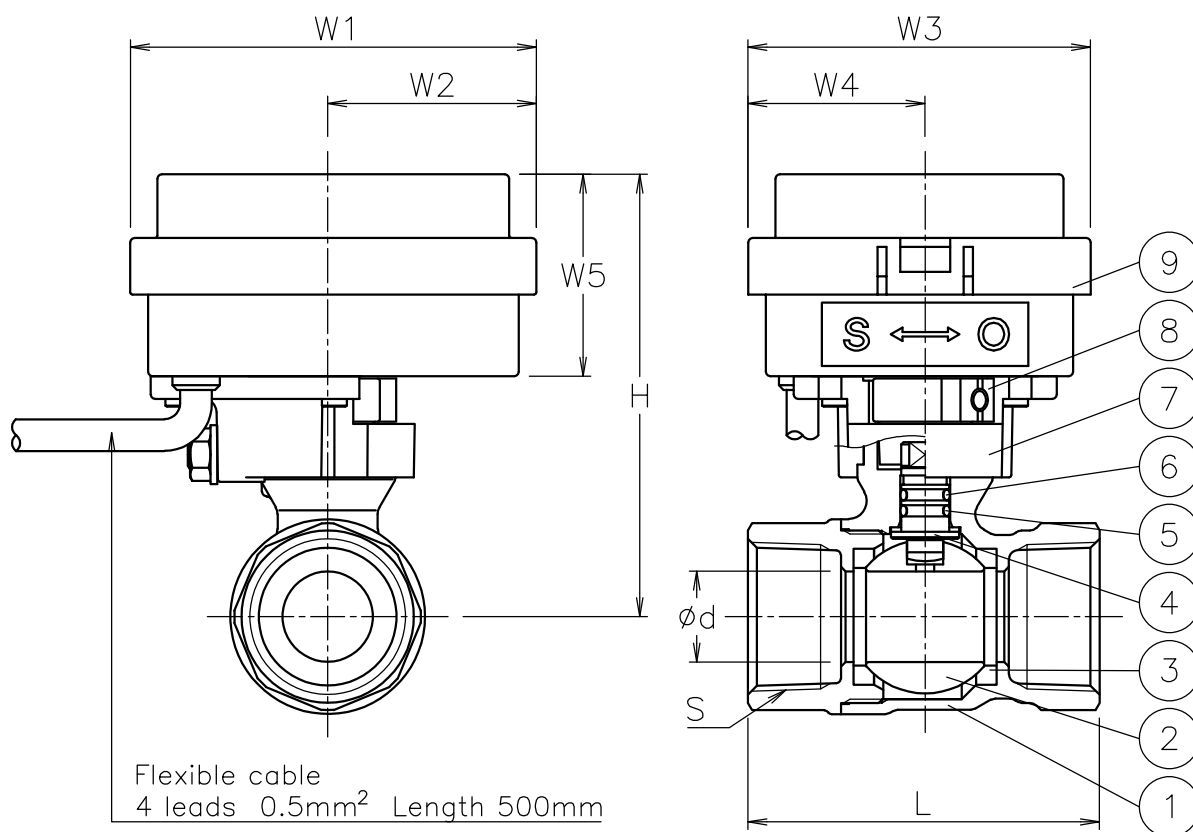
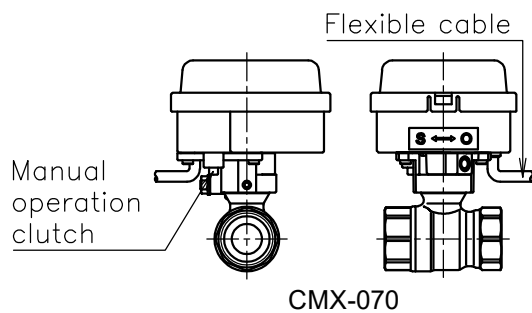


Valve DN	S	d	L	W1	W2	W3	W4	W5	H	Weight (kg)	Cv	Actuator	Sizing code
15 A	Rc 1/2	13	59	90	46	76	39	44.5	91	0.6	12	CMX-030	0
				105	55	96	48	61	111	0.9		CMX-070	2
20 A	Rc 3/4	15	66	90	46	76	39	44.5	93	0.7	16	CMX-030	0
				105	55	96	48	61	114	1		CMX-070	2
25 A	Rc 1	20	78	90	46	76	39	44.5	98	0.9	28	CMX-030	0
				105	55	96	48	61	118	1.2		CMX-070	2
32 A	Rc1 1/4	25	87	105	55	96	48	61	128	1.4	47	CMX-070	0
40 A	Rc1 1/2	32	96	105	55	96	48	61	134	1.7	83	CMX-070	0



NOTE

- (a) CMX-070 can be specified by 24V DC.
 • For manual operation on CMX-070, press the clutch button while operating it.



9	Actuator	PC Case	1	(a)
8	Joint	PPS	1	
7	Bracket	PPS	1	
6	O-ring	NBR	1	
5	O-ring	FKM	1	
4	Stem	Dezincification resistant brass	1	
3	Seat	F-PTFE	2	
2	Ball	C3604BD/C3771BE	1	PLTD
1	Body	C3771BE	1	PLTD
No	DESCRIPTION	MATERIALS	REQ'D	REMARKS

			APPR'D	H.F	TITLE	Threaded End Rc Valve DN: 15~40 A		
			CHK'D	K.Y		E type motorized control valve		
			DESIGN		MODEL	CMXE-**5YYF		
			DRAWN	P.O				
MARK	DATE	BY	DATE	'16-04-01	SCALE	NON	DWG No.	E-*5YYF-MX3-EN
REVISIONS								
MV-2494								



NIPPON VALVE CONTROLS, INC.