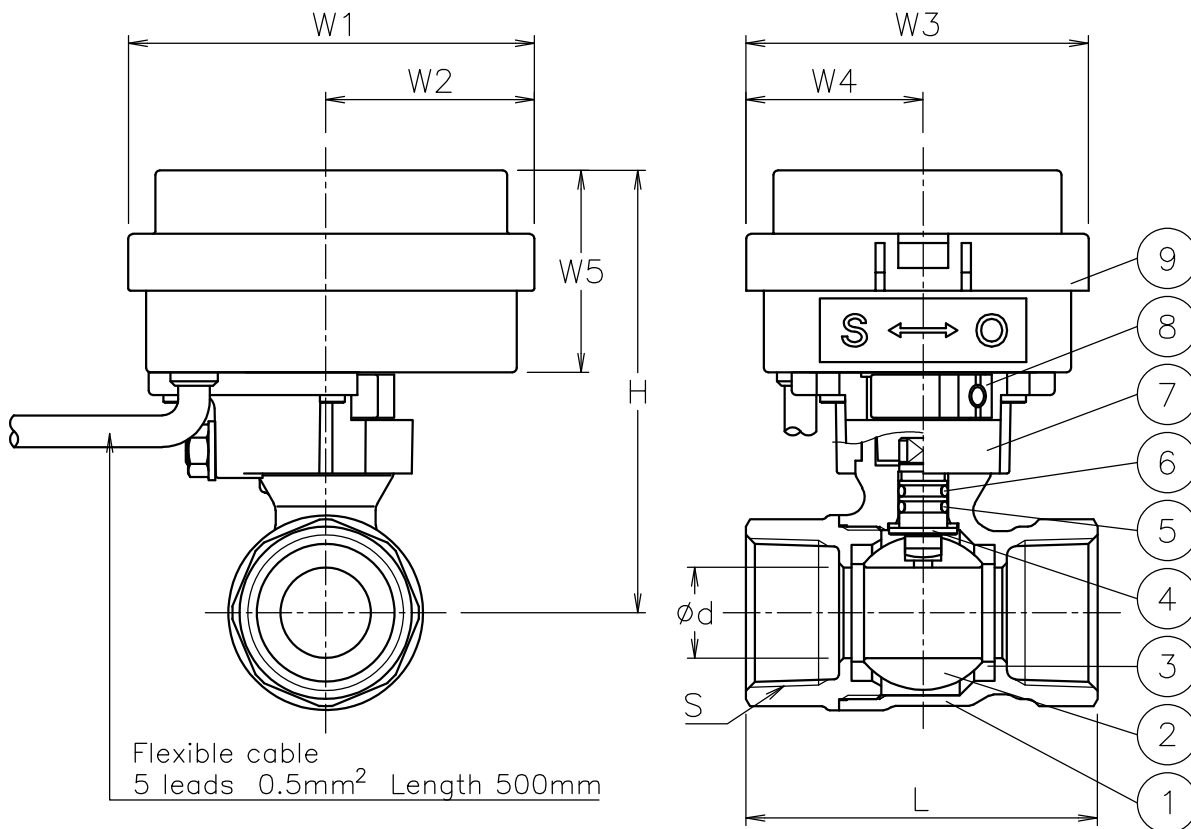


Valve DN	S	d	L	W1	W2	W3	W4	W5	H	Weight (kg)	Cv	Actuator		Sizing code
15 A	Rc 1/2	13	59	90	46	76	39	44.5	91	0.7	12	CM*-030	CD2-030	0
20 A	Rc 3/4	15	66	90	46	76	39	44.5	93	0.8	16	CM*-030	CD2-030	0
25 A	Rc 1	20	78	90	46	76	39	44.5	98	1	28	CM*-030	CD2-030	0
				105	55	96	48	61 (84)	118 (141)	1.2		CM*-070	CD2-070	2
32 A	Rc1 1/4	25	87	105	55	96	48	61 (84)	128 (151)	1.4	47	CM*-070	CD2-070	0
40 A	Rc1 1/2	32	96	105	55	96	48	61 (84)	134 (157)	1.7	83	CM*-070	CD2-070	0

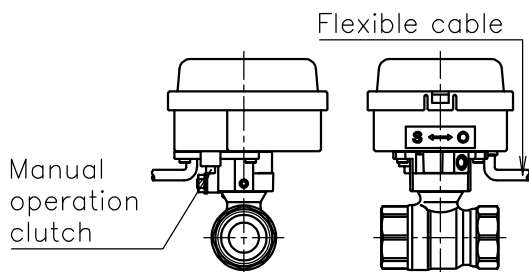
(): CD2-070



Flexible cable
5 leads 0.5mm² Length 500mm

NOTE

•For manual operation on CD/CM-070,
press the clutch button while operating it.



CD/CM-070

9	Actuator	PC Case	1	
8	Joint	PPS	1	
7	Bracket	PPS	1	
6	O-ring	NBR	1	
5	O-ring	FKM	1	
4	Stem	Dezincification resistant brass	1	
3	Seat	F-PTFE	2	
2	Ball	C3604BD/C3771BE	1	PLTD
1	Body	C3771BE	1	PLTD
No	DESCRIPTION	MATERIALS	REQ'D	REMARKS

			APPR'D	H.F	TITLE	Threaded End Rc Valve DN: 15~40 A			
			CHK'D	K.Y		E type motorized ball valve			
			DESIGN		MODEL	CD2E-**5YYF		CM1E-**5YYF	
			DRAWN	P.O				CM2E-**5YYF	
MARK	DATE	BY	DATE	'16-04-01	SCALE	NON	DWG No.	E-*5YYF-CD3-EN	
REVISIONS									
MV-2494									



NIPPON VALVE CONTROLS, INC.