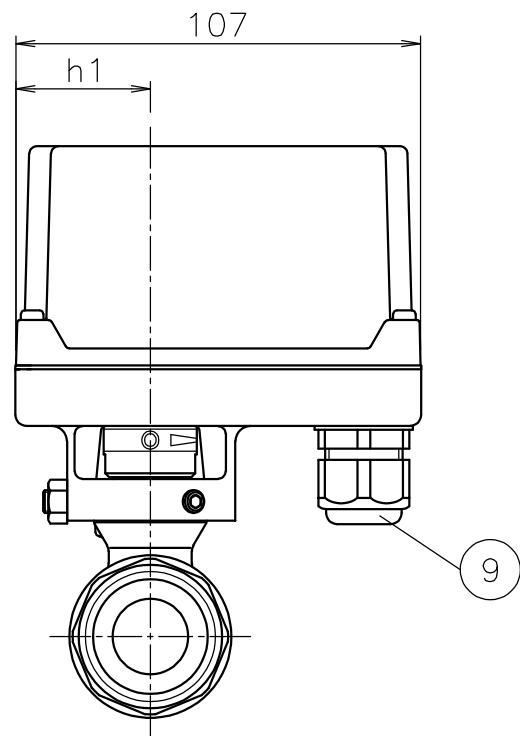
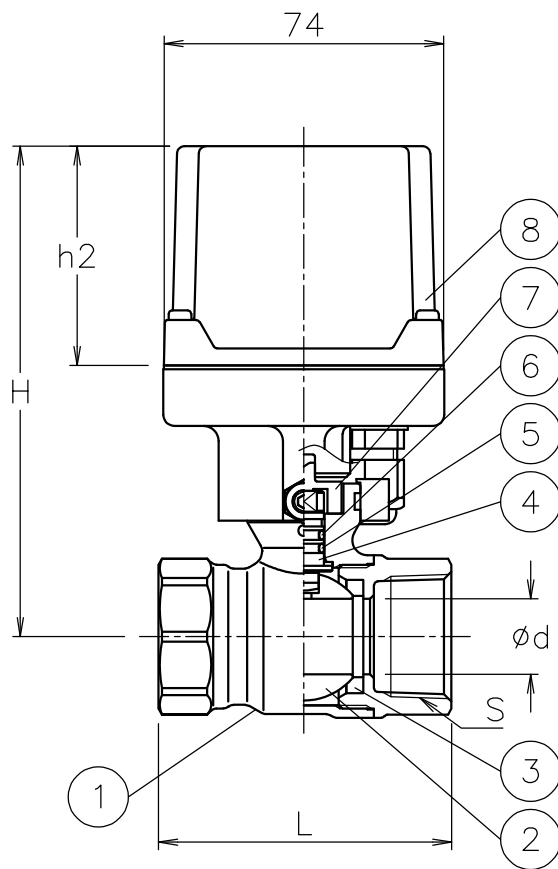



Size [mm]	S	d	L	h1	h2	H	Weight [kg]	Cv	Actuator		Sizing code
									AM1-030	AM2-030	
15	Rc 1/2	13	59	36	58	123	1.3	12	AM1-030	AM2-030	0
									AM1-070	AM2-070	2
20	Rc 3/4	15	66	36	58	126	1.4	16	AM1-030	AM2-030	0
									AM1-070	AM2-070	2
25	Rc 1	20	78	36	58	130	1.6	28	AM1-030	AM2-030	0
									AM1-070	AM2-070	2
32	Rc1 1/4	25	87	36	58	140	1.8	47	AM1-070	AM2-070	0
				53	85	181	2.3		AM1-180	AM2-180	2
40	Rc1 1/2	32	96	36	58	146	2.1	83	AM1-070	AM2-070	0
				53	85	187	2.6		AM1-180	AM2-180	2
50	Rc 2	38	109	53	85	193	3.2	115	AM1-180	AM2-180	0



**NOTE**

(a) Cable acceptance 5φ to 10.5φ mm.

9	Cable gland	NYLON 6	1	G3/8 (a)
8	Actuator	ADC12/PC CASE	1	
7	Joint	SUS304	1	
6	O-ring	NBR	1	
5	O-ring	FKM	1	
4	Stem	Dezincification resistance brass	1	
3	Seat	F-PTFE	2	
2	Ball	C3604BD/C3771BE	1	PLTD
1	Body	C3771BE	1	PLTD
No	DESCRIPTION	MATERIALS	REQ'D	REMARKS

			APPR'D	H.F	TITLE	Threaded End Rc E type motorized ball valve					
			CHK'D	K.Y							
			DESIGN		MODEL	AM1E-**5YYF AM2E-**5YYF					
			DRAWN	S.O							
MARK	DATE	BY	DATE	'21-03-16	SCALE	NON	DWG No.	E-5YYF-AM3-EN			
REVISIONS			 <b>NIPPON VALVE CONTROLS, INC.</b>								
MV-2890											