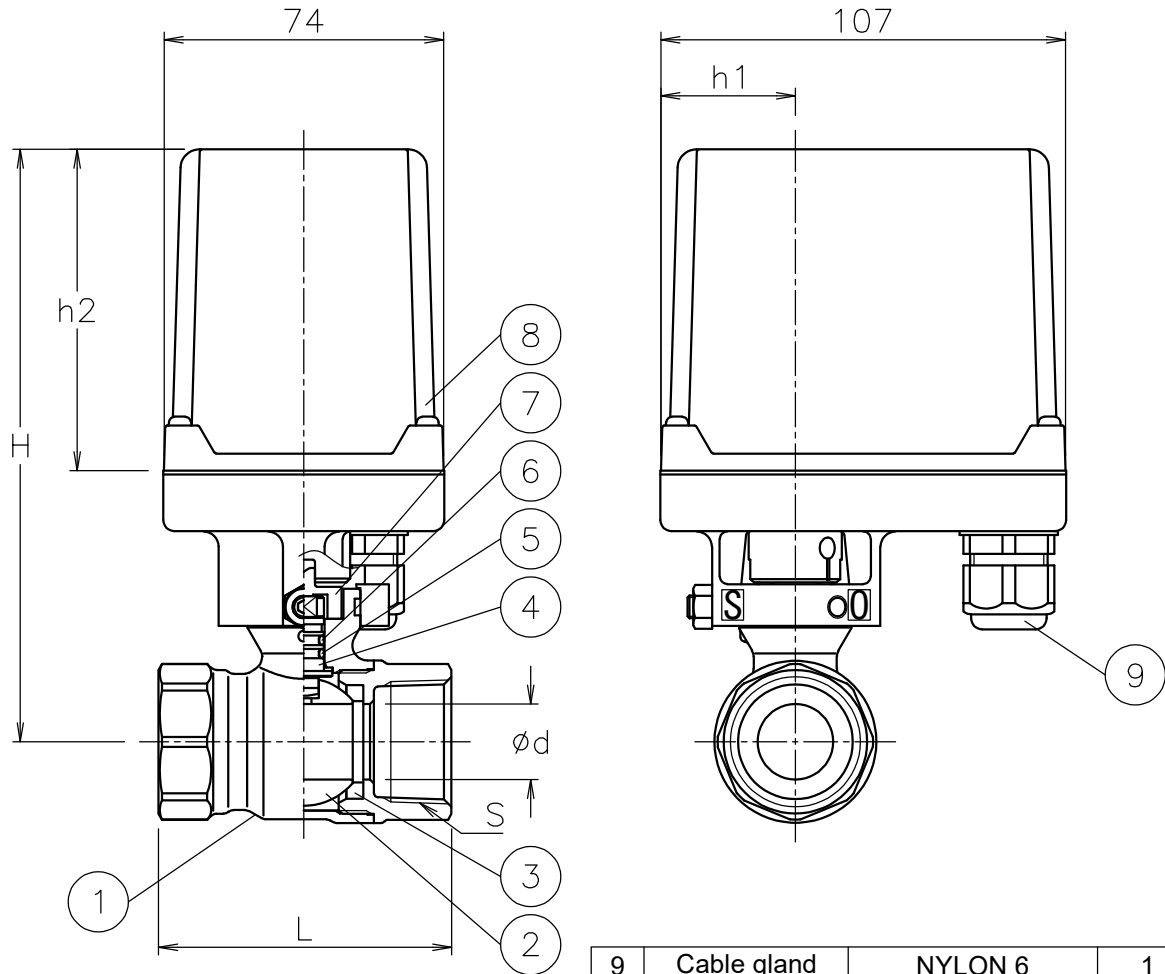


Size [mm]	S	d	L	h1	h2	H	Weight [kg]		Cv	Actuator		Sizing code
							AH1	DM*				
15	Rc 1/2	13	59	36	85 (58)	150 (123)	1.4	1.6 (1.2)	12	AH1-030	DM*-030	0
20	Rc 3/4	15	66	36	85 (58)	153 (126)	1.5	1.7 (1.3)	16	AH1-030	DM*-030	0
25	Rc 1	20	78	36	85 (58)	157 (130)	1.7	1.9 (1.5)	28	AH1-030	DM*-030	0
					85	157	1.9	1.9		AH1-070	DM*-070	2
32	Rc1 1/4	25	87	36	85	167	2.1	2.1	47	AH1-070	DM*-070	0
40	Rc1 1/2	32	96	36	85	173	2.4	2.4	83	AH1-070	DM*-070	0
					53	85	187	2.8		2.6	AH1-180	DM*-180
50	Rc 2	38	109	53	85	193	3.4	3.2	115	AH1-180	DM*-180	0


(): DM2-030



NOTE

(a) Cable acceptance 5φ to 10.5φ mm.

9	Cable gland	NYLON 6	1	G 3/8 (a)
8	Actuator	ADC12/PC Cover	1	
7	Joint	SUS304	1	
6	O-ring	NBR	1	
5	O-ring	FKM	1	
4	Stem	Dezincification resistance brass	1	
3	Seat	F-PTFE	2	
2	Ball	C3604BD/C3771BE	1	PLTD
1	Body	C3771BE	1	PLTD
No	DESCRIPTION	MATERIALS	REQ'D	REMARKS

			APPR'D	H.F	TITLE	Threaded End Rc	
			CHK'D	K.Y		E type motorized ball valve	
			DESIGN		MODEL	AH1E-**5YYF	DM0E-0*5YYF
			DRAWN	S.O		DM2E-0*5YYF	
MARK	DATE	BY	DATE	'21-03-16	SCALE	NON	DWG No. E-*5YYF-CM3-EN
REVISIONS			 NIPPON VALVE CONTROLS, INC.				
MV-2890							