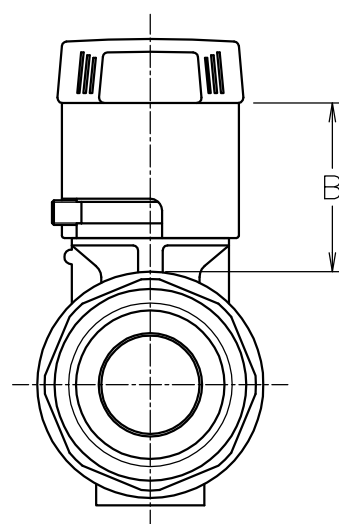
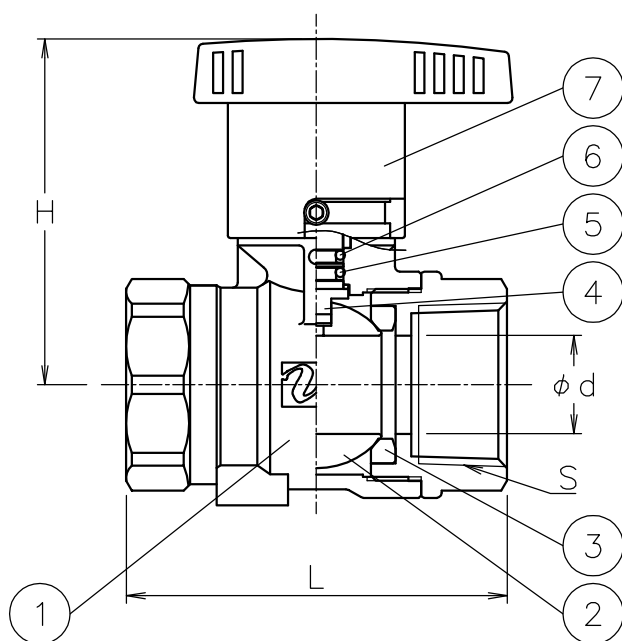
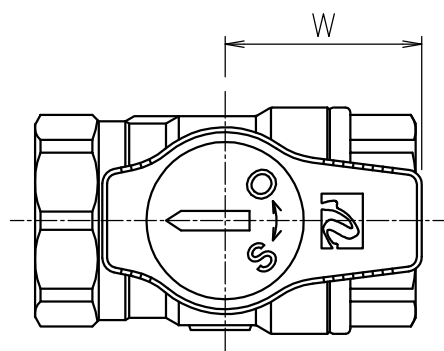



Size [mm]	S	d	L	W	B	H	Weight [kg]	Cv	Actuator
8	Rc 1/4	8.5	46	40	33	59	0.3	5	Lever
10	Rc 3/8	9.2	46	40	33	59	0.3	5	Lever
15	Rc 1/2	13	59	40	34	62	0.3	12	Lever
20	Rc 3/4	16	66	40	32	64	0.4	16	Lever
25	Rc 1	20	78	40	35	71	0.6	28	Lever
32	Rc1 1/4	25	87	60	41	87	1	47	Lever
40	Rc1 1/2	32	95	60	41	92	1.4	83	Lever
50	Rc 2	39	109	60	42	98	2	123	Lever



7	Lever handle	SPS	1	
6	O-ring	NBR	1	
5	O-ring	FKM	1	
4	Stem	SUS316	1	Cr plated
3	Seat	PTFE	2	
2	Ball	SUS316/SCS14A	1	
1	Body	SCS14A	1	
No	DESCRIPTION	MATERIALS	REQ'D	REMARKS

			APPR'D	H.F	TITLE	Threaded End Rc E type ball valve				
			CHK'D	K.Y						
			DESIGN		MODEL	MACE-T-5UUT				
			DRAWN	S.O						
MARK	DATE	BY	DATE	'19-06-06	SCALE	NON	DWG No.	E-5UUT-MA8-EN		
REVISIONS			 NIPPON VALVE CONTROLS, INC.							
MV-2778										