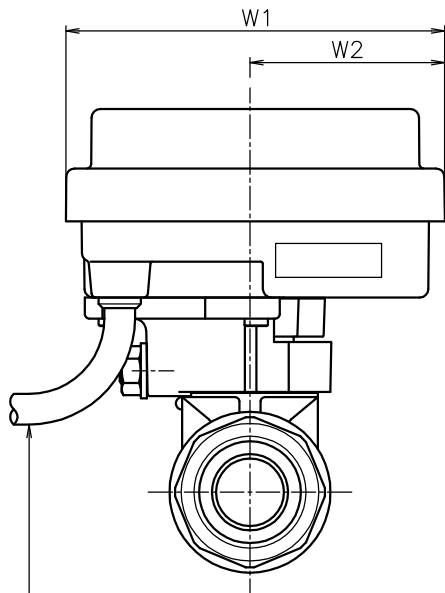
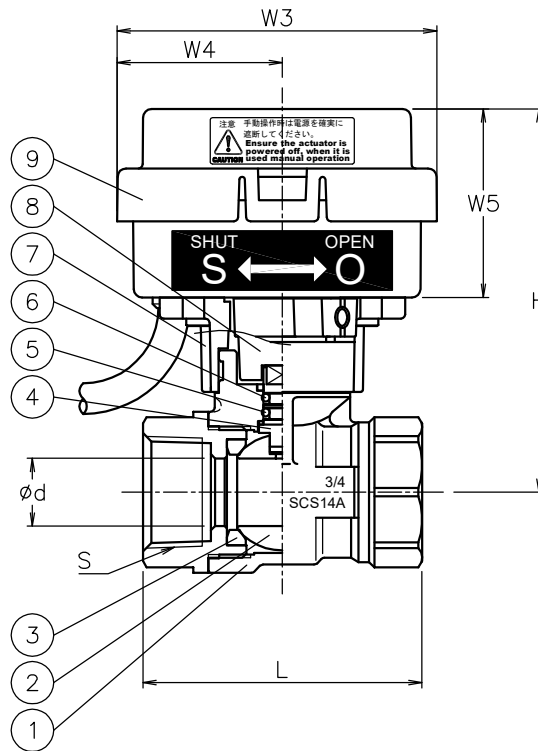


Size [mm]	S	d	L	W1	W2	W3	W4	CD2			CM1, CM2			Cv	Actuator			Sizing code
								W5	H	kg	W5	H	kg		CD2-030	CM1-030	CM2-030	
8	Rc 1/4	8.5	46	90	46	76	39	44.5	86	0.8	44.5	86	0.7	5	CD2-030	CM1-030	CM2-030	0
10	Rc 3/8	9.2	46	90	46	76	39	44.5	86	0.8	44.5	86	0.7	5	CD2-030	CM1-030	CM2-030	0
15	Rc 1/2	13	59	90	46	76	39	44.5	88	0.9	44.5	88	0.8	12	CD2-030	CM1-030	CM2-030	0
20	Rc 3/4	16	66	90	46	76	39	44.5	91	1	44.5	91	0.9	16	CD2-030	CM1-030	CM2-030	0
25	Rc 1	20	78	90	46	76	39	44.5	97	1.2	44.5	97	1.1	28	CD2-030	CM1-030	CM2-030	0
				105	55	96	48	84	141	1.3	61	118	1.4		CD2-070	CM1-070	CM2-070	2
32	Rc1 1/4	25	87	105	55	96	48	84	151	1.6	61	128	1.7	47	CD2-070	CM1-070	CM2-070	0
40	Rc1 1/2	32	95	105	55	96	48	84	157	2	61	134	2.1	83	CD2-070	CM1-070	CM2-070	0

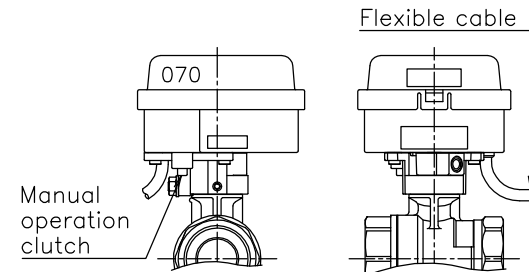


Flexible cable
5 leads 0.5 mm² L=500 mm



NOTE

Press the actuator clutch and move the joint to manually operate the CD2-070 (CM*-070).



CD2(CM*)E-*25UUT-025
CD2(CM*)E-*05UUT-032
CD2(CM*)E-*05UUT-040

No	DESCRIPTION	MATERIALS	REQ'D	REMARKS
9	Actuator	PC Case	1	
8	Joint	PPS	1	
7	Bracket	PPS	1	
6	O-ring	NBR	1	
5	O-ring	FKM	1	
4	Stem	SUS316	1	Cr plated
3	Seat	PTFE	2	
2	Ball	SUS316/SCS14A	1	
1	Body	SCS14A	1	

MARK	DATE	BY	DATE	'19-07-16	SCALE	NON	DWG No.	E-*5UUT-CD12-EN
REVISIONS								
MV-2778								