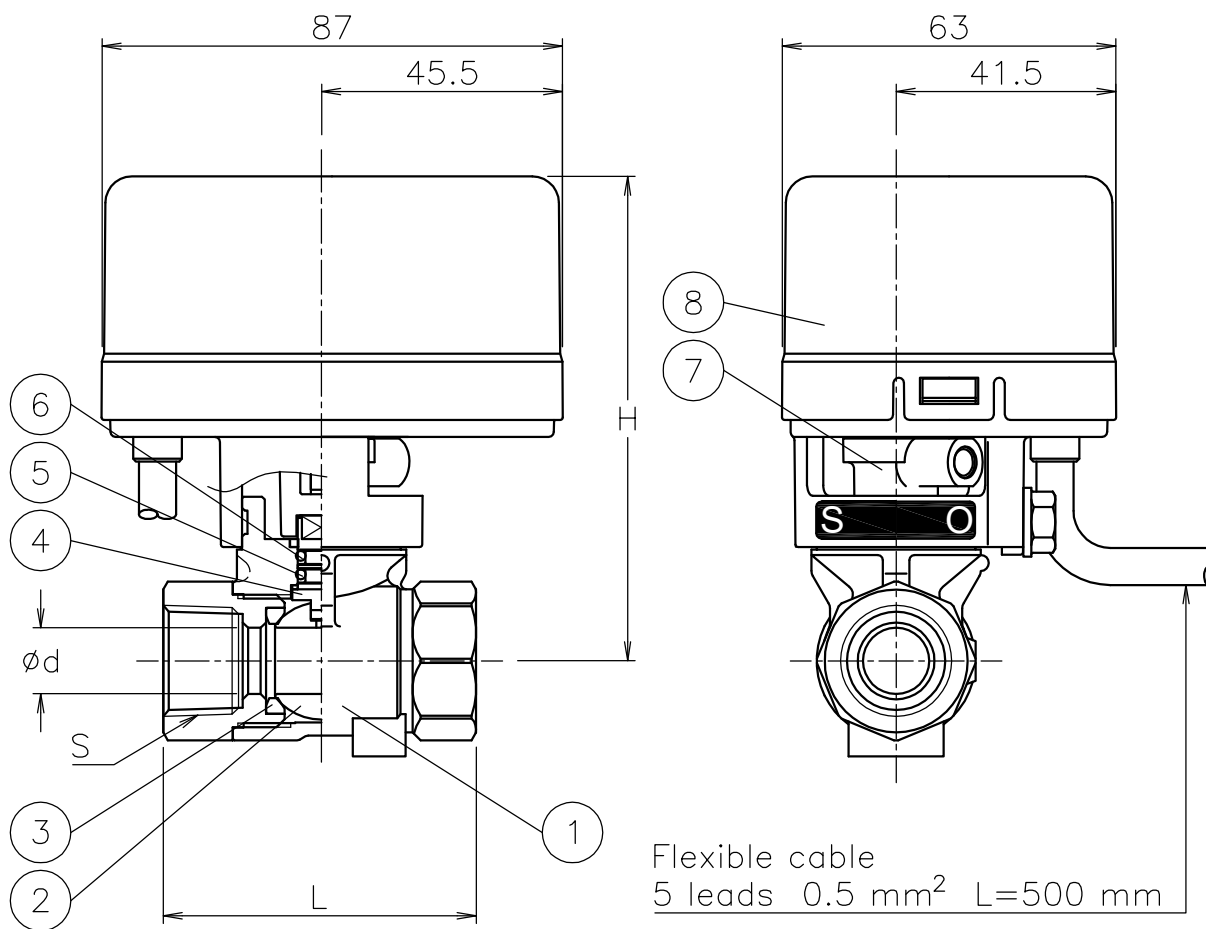



Size [mm]	S	d	L	H	Weight [kg]	Cv	Actuator	Sizing code
8	Rc 1/4	8.5	46	89	0.6	5	CA1-015	0
10	Rc 3/8	9.2	46	89	0.6	5	CA1-015	0
15	Rc 1/2	13	59	92	0.7	12	CA1-015	0



8	Actuator	PC Case	1	
7	Joint	PPS	1	
6	O-ring	NBR	1	
5	O-ring	FKM	1	
4	Stem	SUS316	1	Cr plated
3	Seat	PTFE	2	
2	Ball	SUS316/SCS14A	1	
1	Body	SCS14A	1	
No	DESCRIPTION	MATERIALS	REQ'D	REMARKS

			APPR'D	H.F	TITLE	Threaded End Rc E type motorized ball valve				
			CHK'D	K.Y						
			DESIGN		MODEL	CA1E-*05UUT				
			DRAWN	S.O						
MARK	DATE	BY	DATE	'19-06-12	SCALE	NON	DWG No.	E-05UUT-CA6-EN		
REVISIONS			 <b>NIPPON VALVE CONTROLS, INC.</b>							
MV-2778										