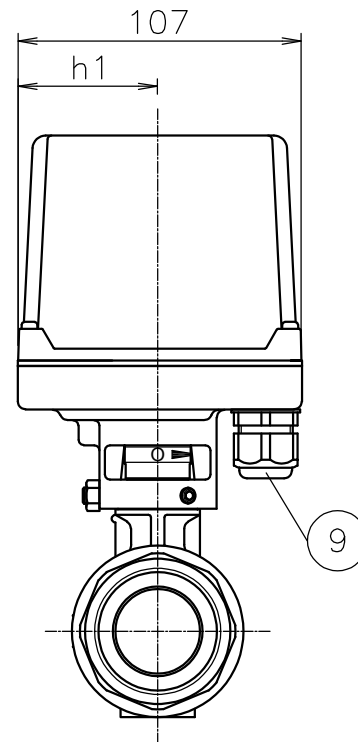
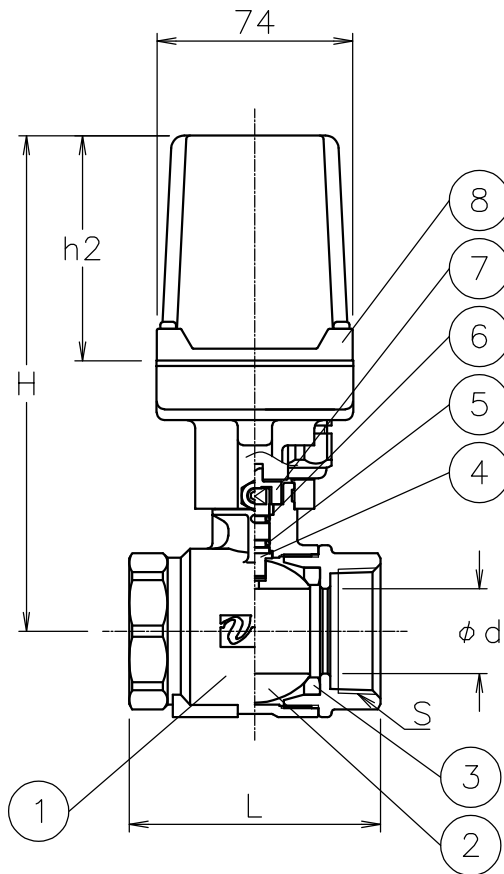



| Size [mm] | S | d | L | h1 | h2 | H | Weight [kg] | Cv | Actuator | | Sizing code |
|-----------|---------|-----|-----|----|----|-----|-------------|-----|----------|---------|-------------|
| 8 | Rc 1/4 | 8.5 | 46 | 36 | 58 | 118 | 1.3 | 5 | AM1-030 | AM2-030 | 0 |
| 10 | Rc 3/8 | 9.2 | 46 | 36 | 58 | 118 | 1.2 | 5 | AM1-030 | AM2-030 | 0 |
| 15 | Rc 1/2 | 13 | 59 | 36 | 58 | 121 | 1.3 | 12 | AM1-030 | AM2-030 | 0 |
| | | | | | | | | | AM1-070 | AM2-070 | 2 |
| 20 | Rc 3/4 | 16 | 66 | 36 | 58 | 123 | 1.4 | 16 | AM1-030 | AM2-030 | 0 |
| | | | | | | | | | AM1-070 | AM2-070 | 2 |
| 25 | Rc 1 | 20 | 78 | 36 | 58 | 129 | 1.6 | 28 | AM1-030 | AM2-030 | 0 |
| | | | | 53 | 85 | 170 | 2.1 | | AM1-070 | AM2-070 | 2 |
| | | | | | | | | | AM1-180 | AM2-180 | 3 |
| 32 | Rc1 1/4 | 25 | 87 | 36 | 58 | 140 | 2 | 47 | AM1-070 | AM2-070 | 0 |
| | | | | 53 | 85 | 181 | 2.5 | | AM1-180 | AM2-180 | 2 |
| 40 | Rc1 1/2 | 32 | 95 | 36 | 58 | 146 | 2.3 | 83 | AM1-070 | AM2-070 | 0 |
| | | | | 53 | 85 | 187 | 2.8 | | AM1-180 | AM2-180 | 2 |
| 50 | Rc 2 | 39 | 109 | 53 | 85 | 193 | 3.4 | 123 | AM1-180 | AM2-180 | 0 |



NOTE
(a) Cable acceptance 5φ to 10.5φ mm.

| 9 | Cable gland | NYLON 6 | 1 | G3/8 (a) |
|----|-------------|----------------|-------|-----------|
| 8 | Actuator | ADC12/PC Cover | 1 | |
| 7 | Joint | SUS304 | 1 | |
| 6 | O-ring | NBR | 1 | |
| 5 | O-ring | FKM | 1 | |
| 4 | Stem | SUS316 | 1 | Cr plated |
| 3 | Seat | PTFE | 2 | |
| 2 | Ball | SUS316/SCS14A | 1 | |
| 1 | Body | SCS14A | 1 | |
| No | DESCRIPTION | MATERIALS | REQ'D | REMARKS |

| | | | | | | | |
|-----------|------|----|--|-----------|-------|-----------------------------|-------------------------|
| | | | APPR'D | H.F | TITLE | Threaded End Rc | |
| | | | CHK'D | K.Y | | E type motorized ball valve | |
| | | | DESIGN | | MODEL | AM1E-**5UUT | |
| | | | DRAWN | S.O | | AM2E-**5UUT | |
| MARK | DATE | BY | DATE | '21-03-15 | SCALE | NON | DWG No. E-*5UUT-AM14-EN |
| REVISIONS | | |  NIPPON VALVE CONTROLS, INC. | | | | |
| MV-2890 | | | | | | | |