

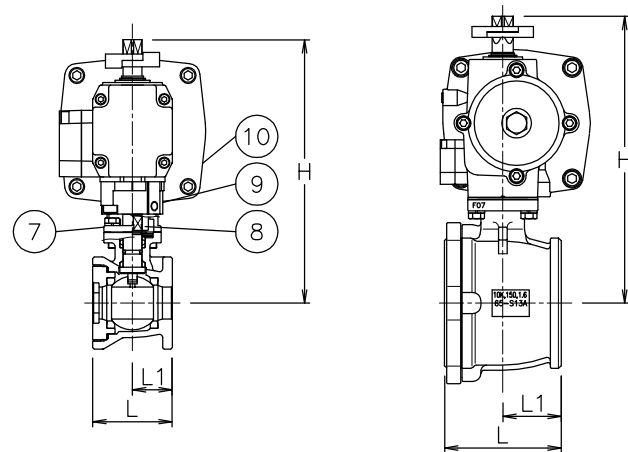
| Size (mm) | d | L | L1 | D | n-h | W | W1 | N | N1 | H | Weight (kg) | Actuator | | Sizing code |
|-----------|----|-----|------|-----|------|-----|-----|-----|----|-----|-------------|----------|---------|-------------|
| 15 | 15 | 40 | 20 | 70 | 4-15 | 249 | 55 | 92 | 46 | 163 | 3.1 | TAO-040 | TAC-040 | 0 |
| | | | | | | 305 | 85 | 103 | 50 | 201 | 3.8 | TAO-050 | TAC-050 | 2 |
| 20 | 20 | 50 | 25 | 75 | 4-15 | 249 | 55 | 92 | 46 | 166 | 3.3 | TAO-040 | TAC-040 | 0 |
| | | | | | | 305 | 85 | 103 | 50 | 204 | 4 | TAO-050 | TAC-050 | 2 |
| 25 | 25 | 60 | 30 | 90 | 4-19 | 305 | 85 | 103 | 50 | 211 | 4.4 | TAO-050 | TAC-050 | 0 |
| | | | | | | 367 | 102 | 119 | 52 | 226 | 6.4 | TAO-063 | TAC-063 | 2 |
| 32 | 32 | 70 | 35 | 100 | 4-19 | 305 | 85 | 103 | 50 | 217 | 4.9 | TAO-050 | TAC-050 | 0 |
| | | | | | | 367 | 102 | 119 | 52 | 232 | 6.9 | TAO-063 | TAC-063 | 2 |
| 40 | 38 | 80 | 40 | 105 | 4-19 | 367 | 102 | 119 | 52 | 241 | 7.6 | TAO-063 | TAC-063 | 0 |
| | | | | | | 435 | 120 | 142 | 59 | 282 | 12 | TAO-080 | TAC-080 | 2 |
| 50 | 50 | 95 | 47.5 | 120 | 4-19 | 367 | 102 | 119 | 52 | 250 | 8.9 | TAO-063 | TAC-063 | 0 |
| | | | | | | 435 | 120 | 142 | 59 | 291 | 13 | TAO-080 | TAC-080 | 2 |
| 65 | 65 | 110 | 55 | 140 | 4-19 | 435 | 120 | 142 | 59 | 271 | 15 | TAO-080 | TAC-080 | 0 |
| | | | | | | 530 | 147 | 174 | 71 | 302 | 23 | TAO-100 | TAC-100 | 2 |
| 80 | 74 | 125 | 62.5 | 150 | 8-19 | 435 | 120 | 142 | 59 | 278 | 17 | TAO-080 | TAC-080 | 0 |
| | | | | | | 530 | 147 | 174 | 71 | 309 | 25 | TAO-100 | TAC-100 | 2 |

NOTE

1. Air supply: 0.4~0.5Mpa max 0.7Mpa
2. Actuator operation

| | | |
|-----|--------------------|--------|
| TAO | Air to intake port | : OPEN |
| | Spring return | : SHUT |
| TAC | Air to intake port | : SHUT |
| | Spring return | : OPEN |

※ This drawing is TAO.



TA*BS901TTF-015
TA*BS901TTF-020

TA*BS9*1TTF-065
TA*BS9*1TTF-080

| No | DESCRIPTION | MATERIALS | REQ'D | REMARKS |
|----|-------------|---------------|-------|---------|
| 10 | Actuator | | 1 | TAO/C |
| 9 | Joint | BERIC | 1 | |
| 8 | Joint | SUS304/SCS13A | 1 | |
| 7 | Bracket | SCS13A | 1 | |
| 6 | Packing | R-PTFE | 1set | |
| 5 | Stem | SUS304 | 1 | |
| 4 | Seat | F-PTFE | 2 | |
| 3 | Ball | SCS13A | 1 | |
| 2 | Cap | SCS13A | 1 | |
| 1 | Body | SCS13A | 1 | |

| | | | | | | | | | |
|-----------|------|----|--------|-----------|-------|---|---------|------------------|--|
| | | | APPR'D | H.F | TITLE | J10K Flanged-end (Wafer type) BS type pneumatic single-actuated ball valve | | | |
| | | | CHK'D | K.Y | MODEL | TAOBS9*1TTF TACBS9*1TTF | | | |
| | | | DESIGN | | SCALE | NON | DWG No. | BS-9*1TTF-TD3-EN | |
| | | | DRAWN | S.O | | | | | |
| MARK | DATE | BY | DATE | '16-11-28 | | | | | |
| REVISIONS | | | | | | | | | |
| MV-2567 | | | | | | | | | |