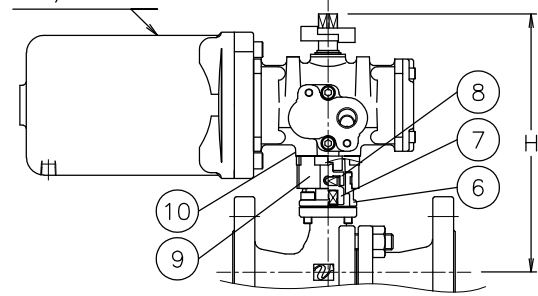
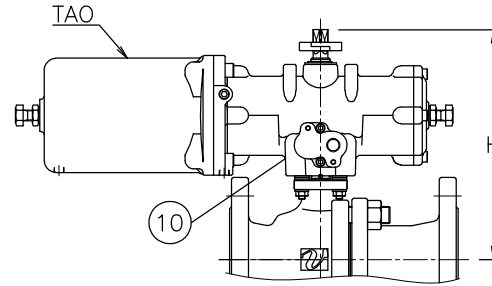


*TAC-040 cylinder is the same design as TAO.

TAO/C-040

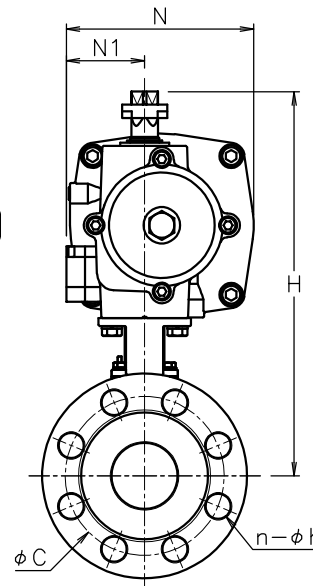
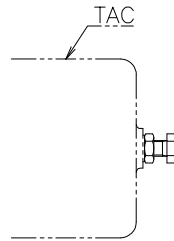
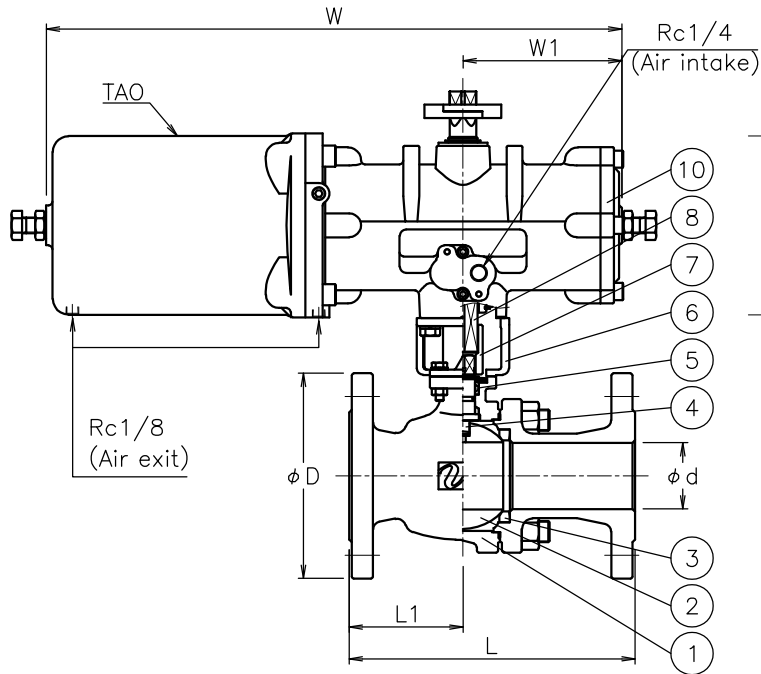


TA*BR903TTG-015
TA*BR903TTG-020



TA*BR903TTG-040
TA*BR9*3TTG-065
TA*BR923TTG-080

Size [mm]	d	L	L1	D	C	n-h	W	W1	N	N1	H ():TAC	Weight [kg]	Actuator	Sizing code
15	15	140	60	95	70	4-15	249	55	92	46	163	4.8	TA*-040	0
							305	85	103	50	201	5.6	TA*-050	2
20	20	152	64	100	75	4-15	249	55	92	46	166	5.4	TA*-040	0
							305	85	103	50	204	6.1	TA*-050	2
25	25	165	69	125	90	4-19	305	85	103	50	211	7.9	TA*-050	0
							367	102	119	52	226	9.8	TA*-063	2
40	40	190	79	140	105	4-19	367	102	119	52	209(211)	13	TA*-063	0
							435	120	142	59	282	17	TA*-080	2
50	50	216	86	155	120	8-19	435	120	142	59	291	19	TA*-080	2
							435	120	142	59	281	24	TA*-080	0
65	65	241	110	175	140	8-19	530	147	174	71	312	32	TA*-100	2
							530	147	174	71	324	38	TA*-100	2



NOTE

- Air supply: 0.4~0.5Mpa max 0.7Mpa
- Actuator operation

TAO	Air to intake port	: OPEN.
	Spring return	: SHUT.
TAC	Air to intake port	: SHUT.
	Spring return	: OPEN.

*This drawing is TAO.

No	DESCRIPTION	MATERIALS	REQ'D	REMARKS
10	Actuator		1	TAO/C
9	Bracket	BERIC	1	
8	Joint	SUS304	1	
7	Joint	SUS304/SCS13A	1	
6	Bracket	SCS13A	1	
5	Packing	R-PTFE	1set	
4	Stem	SUS304	1	
3	Seat	R-PTFE	2	
2	Ball	SCS13A	1	
1	Body	SCS13A	1	

			APPR'D	H.F.	TITLE	J20K Flanged-end (single-acting type) BR type pneumatic actuated ball valve						
			CHK'D	K.Y.		MODEL	TAOBR9*3TTG TACBR9*3TTG					
			DESIGN		DRAWN							
			DATE	S.O		MARK	DATE	BY	'17-05-12	SCALE	NON	DWG No.
REVISIONS												
MV-2618												



NIPPON VALVE CONTROLS, INC.