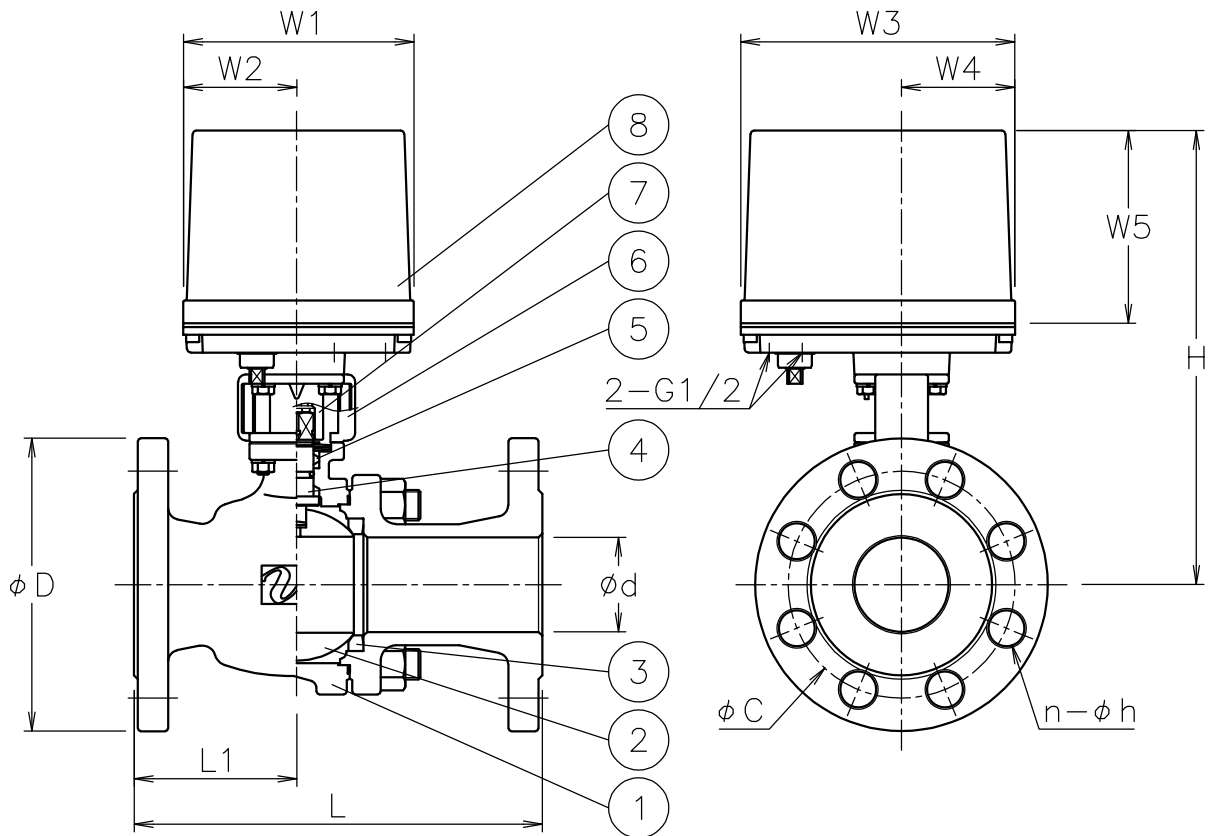



Size [mm]	d	L	L1	D	C	n-h	W1	W2	W3	W4	W5	H	Weight [kg]	Actuator		Sizing code
														AE1-120	AE2-120	
15	15	140	60	95	70	4-15	122	60	145	60	102	207	4.8	AE1-120	AE2-120	0
20	20	152	64	100	75	4-15	122	60	145	60	102	210	5.4	AE1-120	AE2-120	0
25	25	165	69	125	90	4-19	122	60	145	60	102	217	7.2	AE1-120	AE2-120	0
													7.8	AE1-360	AE2-360	2
40	40	190	79	140	105	4-19	122	60	145	60	102	232	11	AE1-360	AE2-360	0
50	50	216	86	155	120	8-19	122	60	145	60	102	241	13	AE1-360	AE2-360	0
													257	13	AE1-700	AE2-700
65	65	241	110	175	140	8-19	122	60	145	60	102	297	19	AE1-700	AE2-700	0
													160	97	175	63
80	80	283	125	200	160	8-23	160	97	175	63	115	367	31	AE1-02K	AE2-02K	2



NOTE
ATTACHMENT
 Cable gland (nylon), G1/2, for 6φ to 12φ cable.
 Plug.

8	Actuator		1	
7	Joint	SUS304/SCS13A	1	
6	Bracket	SCS13A	1	
5	Packing	R-PTFE	1set	
4	Stem	SUS304	1	
3	Seat	R-PTFE	2	
2	Ball	SCS13A	1	
1	Body	SCS13A	1	
No	DESCRIPTION	MATERIALS	REQ'D	REMARKS

			APPR'D	H.F	TITLE	J20K Flanged-end BR type motorized ball valve			
			CHK'D	K.Y					
			DESIGN		MODEL	AE1BR**3TTG AE2BR**3TTG			
			DRAWN	S.O					
MARK	DATE	BY	DATE	'23-01-06	SCALE	NON	DWG No.	BR-*3TTG-AE5-EN	
REVISIONS			 NIPPON VALVE CONTROLS, INC.						
MV-2990									