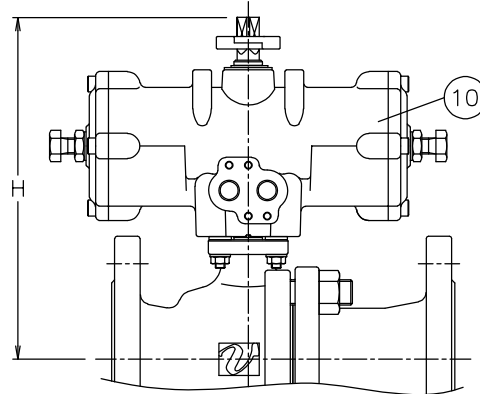
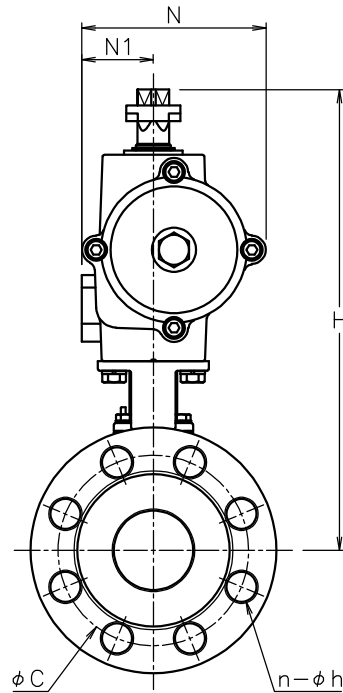
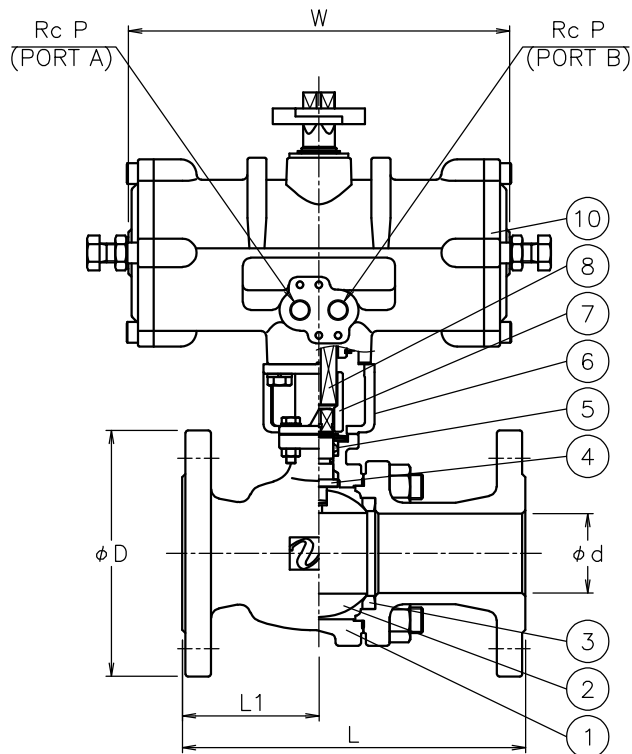


TADBR903TTF-015
TADBR903TTF-020



TADBR903TTF-040
TADBR9*3TTF-065
TADBR923TTF-080



Size [mm]	d	L	L1	D	C	n-h	P	W	N	N1	H	Weight [kg]	Actuator	Sizing code
15	15	140	60	95	70	4-15	1/8	110	57	32	163	3.5	TAD-040	0
							1/4	170	82	36	201	4	TAD-050	2
20	20	152	64	100	75	4-15	1/8	110	57	32	166	4.1	TAD-040	0
							1/4	170	82	36	204	4.5	TAD-050	2
25	25	165	69	125	90	4-19	1/4	170	82	36	211	6.3	TAD-050	0
							1/4	204	95	38	207	9.6	TAD-063	0
40	40	190	79	140	105	4-19	1/4	240	116	45	282	12	TAD-080	2
							1/4	240	116	45	291	14	TAD-080	2
50	50	216	86	155	120	8-19	1/4	240	116	45	281	19	TAD-080	0
							1/4	294	143	57	312	21	TAD-100	2
80	80	283	125	200	160	8-23	1/4	294	143	57	324	28	TAD-100	2

NOTE

- 1) Air supply: 0.4 to 0.5Mpa. Max 0.7Mpa.
- 2) Actuator operation
Air to port A: SHUT.
Air to port B: OPEN.

No	DESCRIPTION	MATERIALS	REQ'D	REMARKS
10	Actuator		1	TAD
9	Bracket	BERIC	1	
8	Joint	SUS304	1	
7	Joint	SUS304/SCS13A	1	
6	Bracket	SCS13A	1	
5	Packing	R-PTFE	1set	
4	Stem	SUS304	1	
3	Seat	F-PTFE	2	
2	Ball	SCS13A	1	
1	Body	SCS13A	1	

MARK	DATE	BY	DATE	SCALE	NON	DWG No.	BR-9*3TTF-TA7-EN
REVISIONS							
MV-2949							
				<div style="display: flex; align-items: center;"> NIPPON VALVE CONTROLS, INC. </div>			