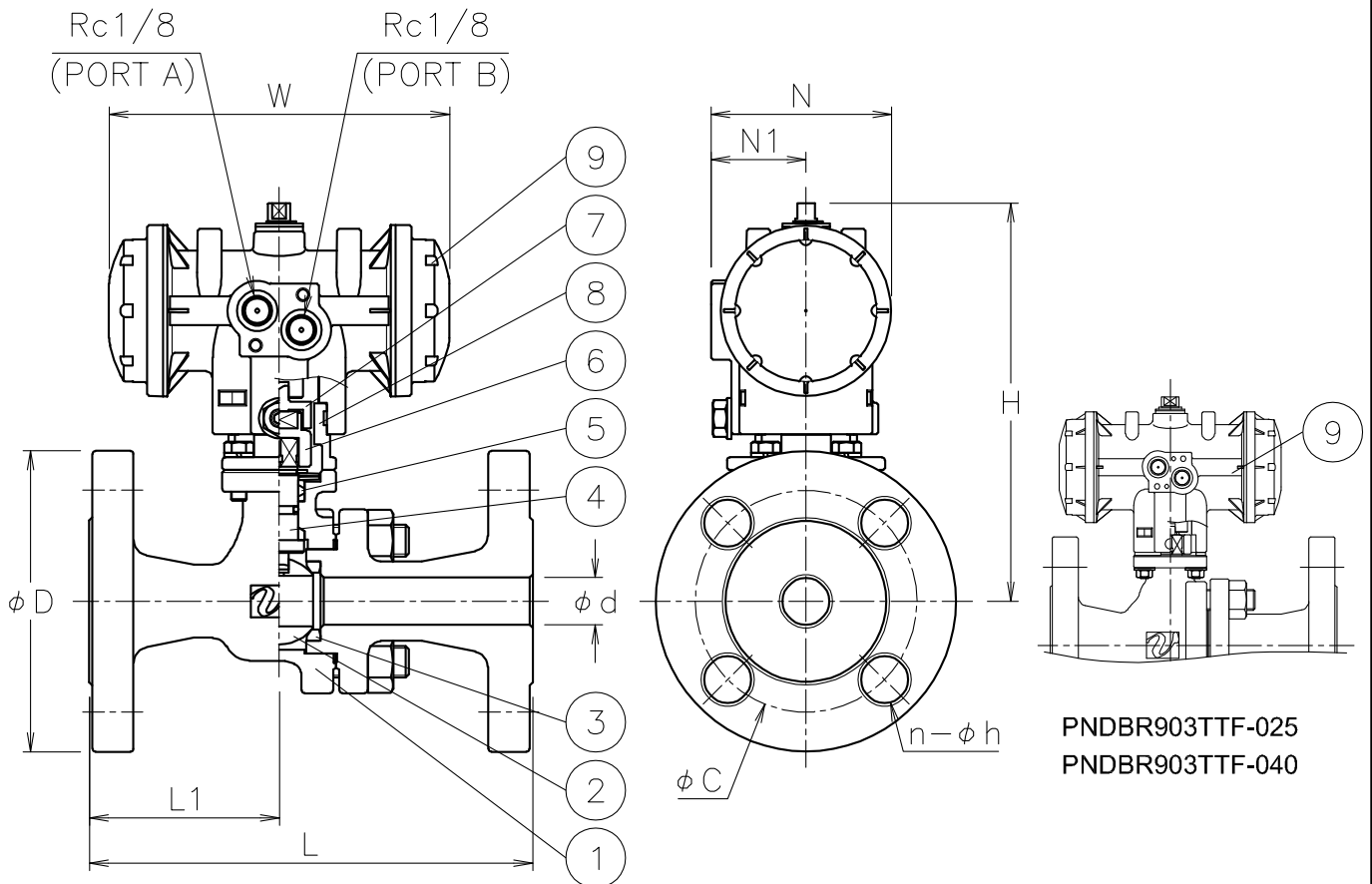


Size [mm]	d	L	L1	D	C	n-h	W	N	N1	H	Weight [kg]	Actuator	Sizing code
15	15	140	60	95	70	4-15	108	57	30	126	2.8	PND-03D	0
20	20	152	64	100	75	4-15	108	57	30	129	3.3	PND-03D	0
							128	68	36	146	3.7	PND-04D	2
25	25	165	69	125	90	4-19	128	68	36	143	5.4	PND-04D	0
40	40	190	79	140	105	4-19	157	82	44	164	8.2	PND-05D	0



NOTE

- 1) Air supply: 0.4 to 0.5 Mpa. Max 0.7 Mpa.
- 2) Actuator operation
Air to port A: SHUT.
Air to port B: OPEN.
- (a) Coupling OD must be less than 14.5 mm.

9	Actuator	PPS body	1	PND (a)
8	Bracket	SCS13A	1	
7	Joint	SUS304	1	
6	Joint	SCS13A	1	
5	Packing	R-PTFE	1set	
4	Stem	SUS304	1	
3	Seat	F-PTFE	2	
2	Ball	SCS13A	1	
1	Body	SCS13A	1	
No	DESCRIPTION	MATERIALS	REQ'D	REMARKS

			APPR'D	K.Y	TITLE	J20K Flanged-end (double-acting type) BR type pneumatic actuated ball valve				
			CHK'D	K.Y						
			DESIGN		MODEL	PNDBR9*3TTF				
			DRAWN	T.A						
MARK	DATE	BY	DATE	'22-12-05	SCALE	NON	DWG No.	BR-9*3TTF-NA1-EN		
REVISIONS			 NIPPON VALVE CONTROLS, INC.							
MV-2987										