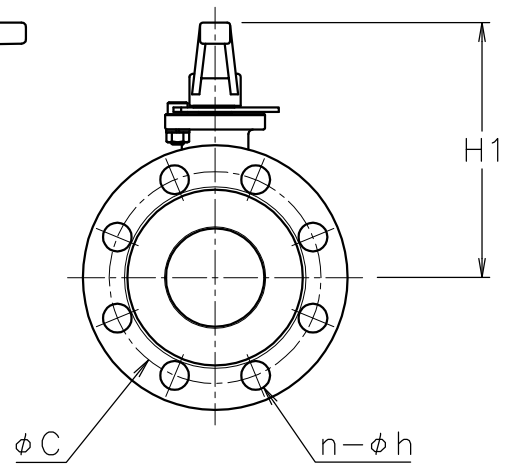
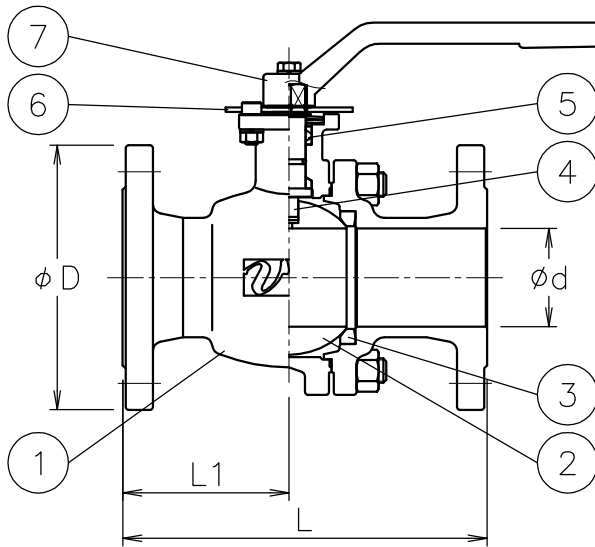
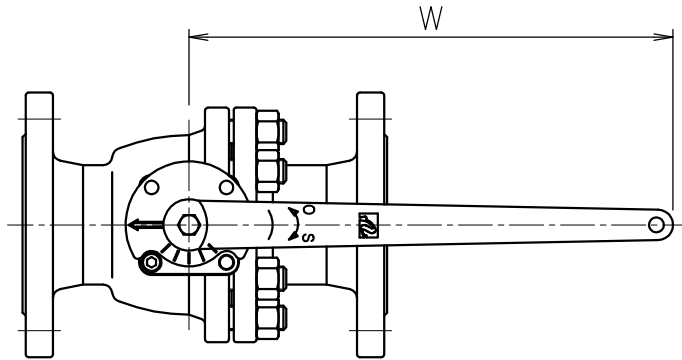


Size (mm)	d	L	L1	D	C	n-h	W	H1	Weight (kg)	Actuator
15	15	140	60	95	70	4-15	115	82	2.5	Lever
20	20	152	64	100	75	4-15	115	85	3	Lever
25	25	165	69	125	90	4-19	145	102	4.8	Lever
40	40	190	79	140	105	4-19	220	124	7.8	Lever
50	50	216	86	155	120	8-19	220	133	11	Lever
65	65	241	110	175	140	8-19	320	169	16	Lever
80	80	283	125	200	160	8-23	320	181	23	Lever



NOTE

(a) Lever handle is removed and shipped.

7	Lever handle	SCS13A	1	(a)
6	Position indicator	SUS304	1	
5	Packing	R-PTFE	1set	
4	Stem	SUS304	1	
3	Seat	F-PTFE	2	
2	Ball	SCS13A	1	
1	Body	SCS13A	1	
No	DESCRIPTION	MATERIALS	REQ'D	REMARKS

			APPR'D	H.F	TITLE	J20K Flanged-end BR type ball valve					
			CHK'D	K.Y							
			DESIGN		MODEL	MAXBRL-3TTF					
			DRAWN	S.O							
MARK	DATE	BY	DATE	'16-12-20	SCALE	NON	DWG No.	BR-3TTF-L-MA7-EN			
REVISIONS			 NIPPON VALVE CONTROLS, INC.								
MV-2572											