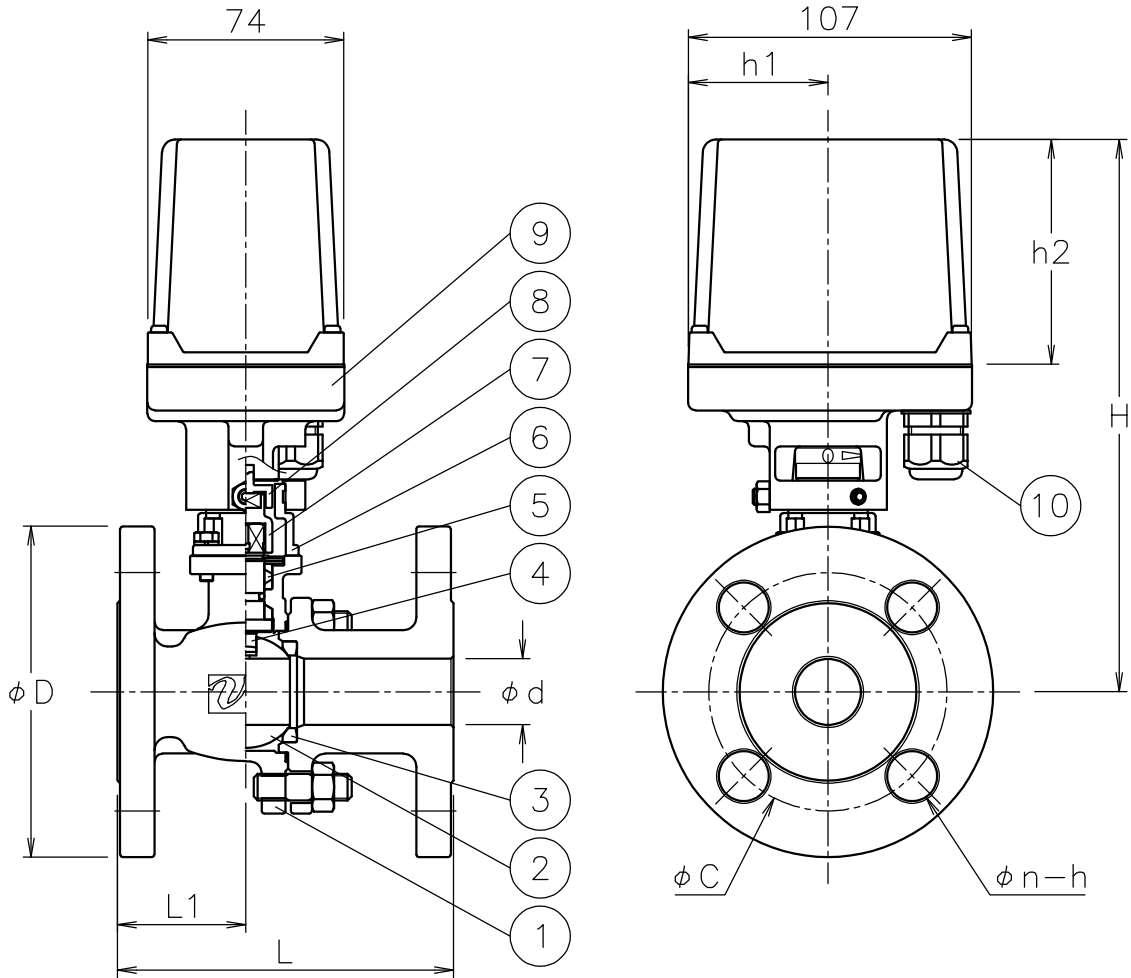



Size [mm]	d	L	L1	D	C	n-h	h1	h2	H	Weight [kg]	Actuator		Sizing code
											AM1-070	AM2-070	
15	16	108	40	95	70	4-15	36	58	152	2.8	AM1-070	AM2-070	0
20	20	117	48	100	75	4-15	36	58	155	3.3	AM1-070	AM2-070	0
							53	85	196	3.8	AM1-180	AM2-180	2
25	25	127	48.5	125	90	4-19	53	85	209	5.2	AM1-180	AM2-180	0
32	32	140	60	135	100	4-19	53	85	215	6.3	AM1-180	AM2-180	1



NOTE

(a) Cable acceptance 5φ to 10.5φ mm.

10	Cable gland	NYLON 6	1	G3/8 (a)
9	Actuator	ADC12/PC Cover	1	
8	Joint	SUS304	1	
7	Joint	SCS13A	1	
6	Bracket	SCS13A	1	
5	Packing	R-PTFE	1set	
4	Stem	SUS316	1	
3	Seat	R-PTFE	2	
2	Ball	SCS14A/SUSF316	1	
1	Body	SCS14A	1	
No	DESCRIPTION	MATERIALS	REQ'D	REMARKS

			APPR'D	H.F	TITLE	J10K Flanged-end BR type motorized ball valve			
			CHK'D	K.Y					
			DESIGN		MODEL	AM1BR**1UUG AM2BR**1UUG			
			DRAWN	S.O					
MARK	DATE	BY	DATE	'21-05-18	SCALE	NON	DWG No.	BR-*1UUG-AM11-EN	
REVISIONS			 NIPPON VALVE CONTROLS, INC.						
MV-2902									