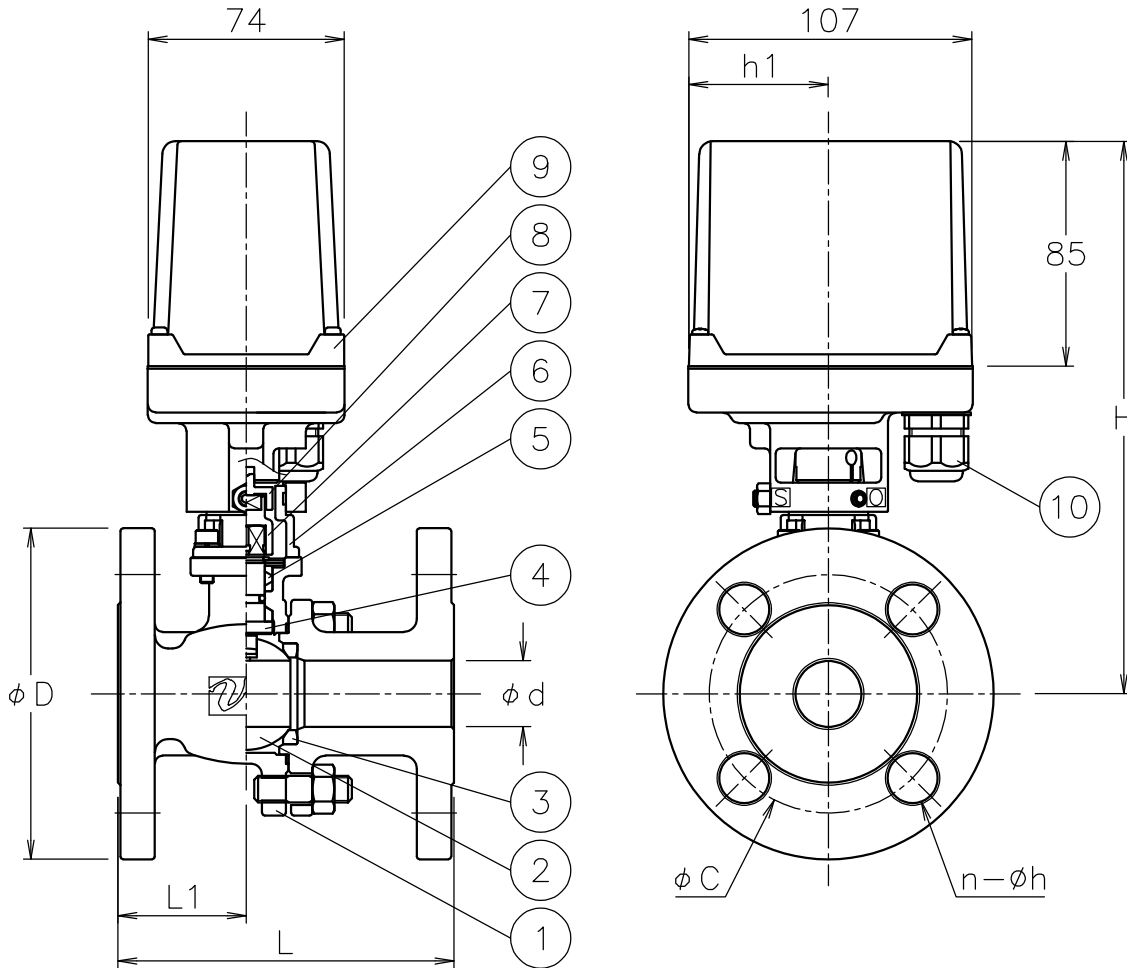



| Size [mm] | d | L | L1 | D | C | n-h | h1 | H | Weight [kg] | | Actuator | | Sizing code |
|-----------|----|-----|------|-----|-----|------|----|-----|-------------|-----|----------|---------|-------------|
| | | | | | | | | | AH1 | DM* | AH1-070 | DM*-070 | |
| 15 | 15 | 108 | 40 | 95 | 70 | 4-15 | 36 | 179 | 3.1 | 3.1 | AH1-070 | DM*-070 | 0 |
| 20 | 20 | 117 | 48 | 100 | 75 | 4-15 | 36 | 182 | 3.6 | 3.6 | AH1-070 | DM*-070 | 0 |
| | | | | | | | 53 | 196 | 4 | 3.8 | AH1-180 | DM*-180 | 2 |
| 25 | 25 | 127 | 48.5 | 125 | 90 | 4-19 | 53 | 209 | 5.4 | 5.2 | AH1-180 | DM*-180 | 0 |
| 32 | 32 | 140 | 60 | 135 | 100 | 4-19 | 53 | 215 | 6.5 | 6.3 | AH1-180 | DM*-180 | 1 |



NOTE

(a) Cable acceptance: 5φ to 10.5φ mm.

| 10 | Cable gland | NYLON 6 | 1 | G3/8 (a) |
|----|-------------|---------------|-------|----------|
| 9 | Actuator | ADC12/PC CASE | 1 | |
| 8 | Joint | SUS304 | 1 | |
| 7 | Joint | SCS13A | 1 | |
| 6 | Bracket | SCS13A | 1 | |
| 5 | Packing | R-PTFE | 1set | |
| 4 | Stem | SUS316 | 1 | |
| 3 | Seat | R-PTFE | 2 | |
| 2 | Ball | SCS14A | 1 | |
| 1 | Body | SCS14A | 1 | |
| No | DESCRIPTION | MATERIALS | REQ'D | REMARKS |

| | | | | | | | | | | |
|-----------|------|----|--|-----------|-------|--|---------|-----------------|--|--|
| | | | APPR'D | H.F | TITLE | J10K Flanged-end BR type motorized ball valve | | | | |
| | | | CHK'D | K.Y | | | | | | |
| | | | DESIGN | | MODEL | AH1BR**1UUG DM0BR0*1UUG DM2BR0*1UUG | | | | |
| | | | DRAWN | S.O | | | | | | |
| MARK | DATE | BY | DATE | '21-04-27 | SCALE | NON | DWG No. | BR-*1UUG-CM7-EN | | |
| REVISIONS | | |  NIPPON VALVE CONTROLS, INC. | | | | | | | |
| MV-2901 | | | | | | | | | | |