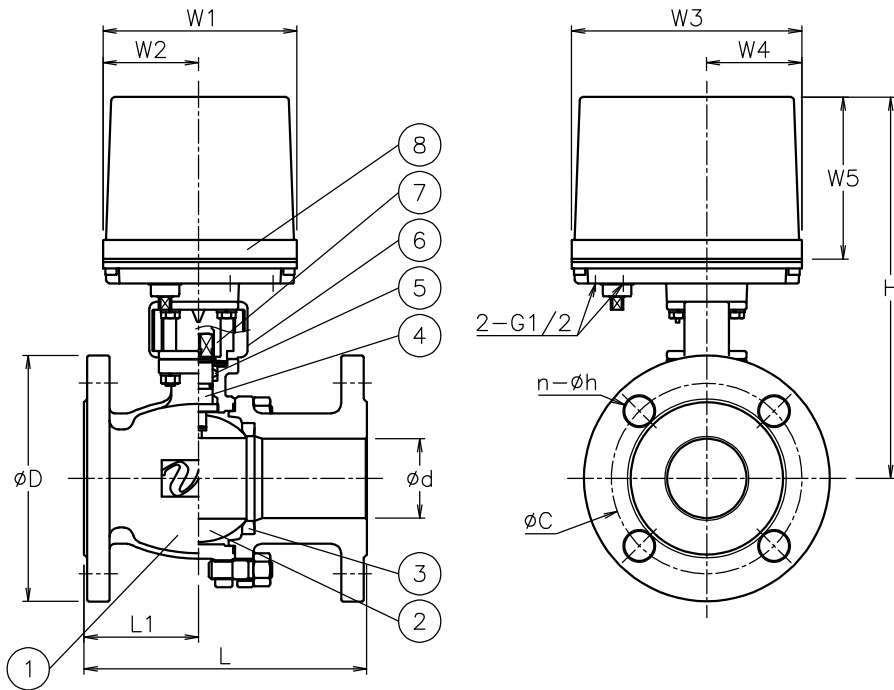



Size [mm]	d	L	L1	D	C	n-h	W1	W2	W3	W4	W5	H	Weight [kg]	Actuator		Sizing code
15	15	108	40	95	70	4-15	122	60	145	60	102	207	4.2	AE1-120	AE2-120	0
20	20	117	48	100	75	4-15	122	60	145	60	102	210	4.7	AE1-120	AE2-120	0
													5.3	AE1-360	AE2-360	2
25	25	127	48.5	125	90	4-19	122	60	145	60	102	217	6	AE1-120	AE2-120	0
													6.6	AE1-360	AE2-360	2
32	32	140	60	135	100	4-19	122	60	145	60	102	223	7.7	AE1-360	AE2-360	0
40	40	165	67.5	140	105	4-19	122	60	145	60	102	232	8.9	AE1-360	AE2-360	0
													9	AE1-700	AE2-700	2
50	50	178	72	155	120	4-19	122	60	145	60	102	241	11	AE1-360	AE2-360	0
													11	AE1-700	AE2-700	2
65	65	190	85	175	140	4-19	122	60	145	60	102	287	16	AE1-700	AE2-700	0
							160	97	175	63	115	345	21	AE1-02K	AE2-02K	2
80	80	203	97	185	150	8-19	122	60	145	60	102	299	19	AE1-700	AE2-700	0
							160	97	175	63	115	357	24	AE1-02K	AE2-02K	2
100	100	229	109	210	175	8-19	160	97	175	63	115	383	33	AE1-02K	AE2-02K	0



NOTE
ATTACHMENT
Cable gland (nylon), G1/2, for 6φ to 12φ cable.
Plug.

No	DESCRIPTION	MATERIALS	REQ'D	REMARKS
8	Actuator		1	
7	Joint	SUS304/SCS13A	1	
6	Bracket	SCS13A	1	
5	Packing	R-PTFE	1set	
4	Stem	SUS316	1	
3	Seat	R-PTFE	2	
2	Ball	SCS14A	1	
1	Body	SCS14A	1	

MARK	DATE	BY	DATE	'23-01-06	SCALE	NON	DWG No.	BR-*1UUG-AE12-EN
REVISIONS								
MV-2990								
				 NIPPON VALVE CONTROLS, INC.				