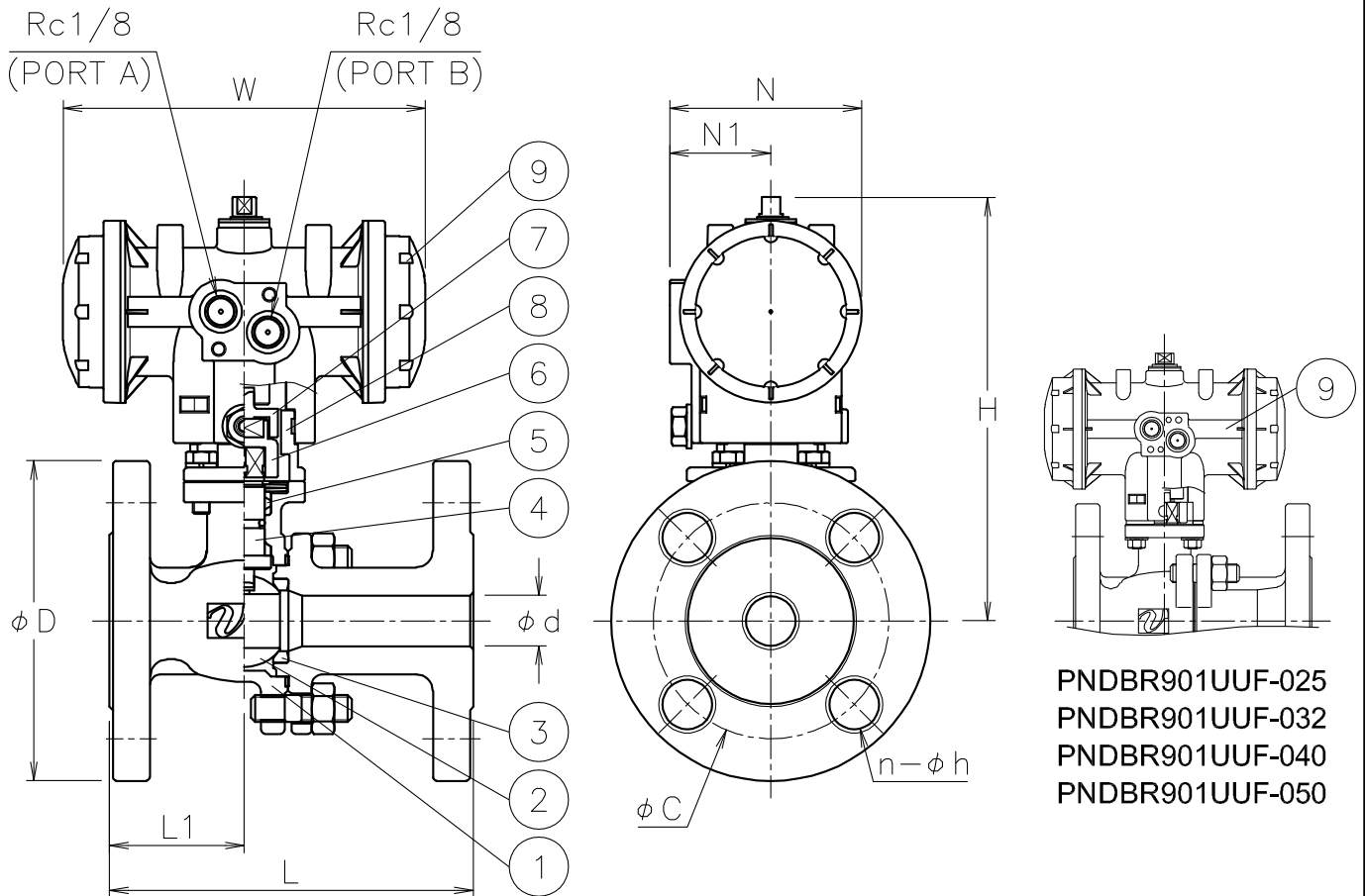



Size [mm]	d	L	L1	D	C	n-h	W	N	N1	H	Weight [kg]	Actuator	Sizing code
15	15	108	40	95	70	4-15	108	57	30	126	2.2	PND-03D	0
20	20	117	48	100	75	4-15	108	57	30	129	2.6	PND-03D	0
							128	68	36	146	3	PND-04D	2
25	25	127	49	125	90	4-19	128	68	36	143	4.3	PND-04D	0
32	32	140	60	135	100	4-19	128	68	36	149	5.4	PND-04D	0
40	40	165	68	140	105	4-19	157	82	44	164	6.6	PND-05D	0
50	50	178	72	155	120	4-19	157	82	44	173	8.6	PND-05D	0



**NOTE**

- 1) Air supply: 0.4 to 0.5 Mpa. Max 0.7 Mpa.
- 2) Actuator operation  
Air to port A: SHUT.  
Air to port B: OPEN.
- (a) Coupling OD must be less than 14.5 mm.

9	Actuator	PPS body	1	PND (a)
8	Bracket	SCS13A	1	
7	Joint	SUS304	1	
6	Joint	SCS13A	1	
5	Packing	R-PTFE	1set	
4	Stem	SUS316	1	
3	Seat	F-PTFE	2	
2	Ball	SCS14A	1	
1	Body	SCS14A	1	
No	DESCRIPTION	MATERIALS	REQ'D	REMARKS

			APPR'D	K.Y	TITLE	J10K Flanged-end (double-acting type) BR type pneumatic actuated ball valve				
			CHK'D	K.Y						
			DESIGN		MODEL	PNDBR9*1UUF				
			DRAWN	T.A						
MARK	DATE	BY	DATE	'22-12-05	SCALE	NON	DWG No.	BR-9*1UUF-NA1-EN		
REVISIONS			 <b>NIPPON VALVE CONTROLS, INC.</b>							
MV-2987										