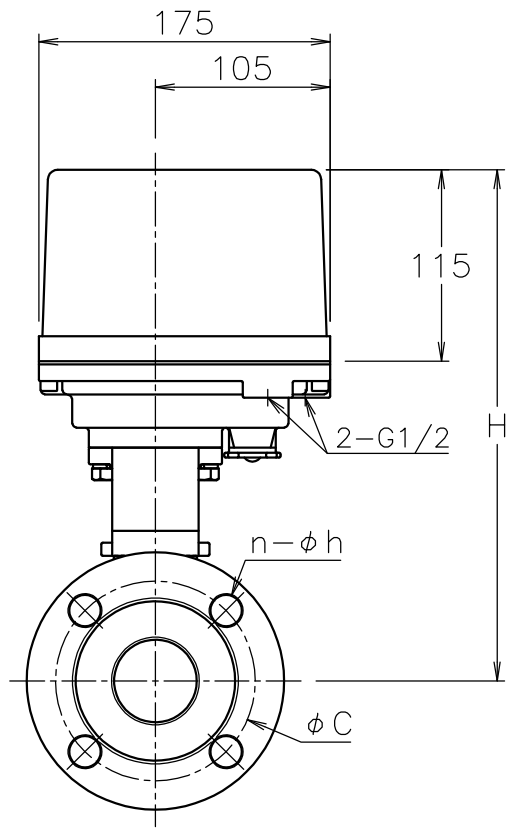
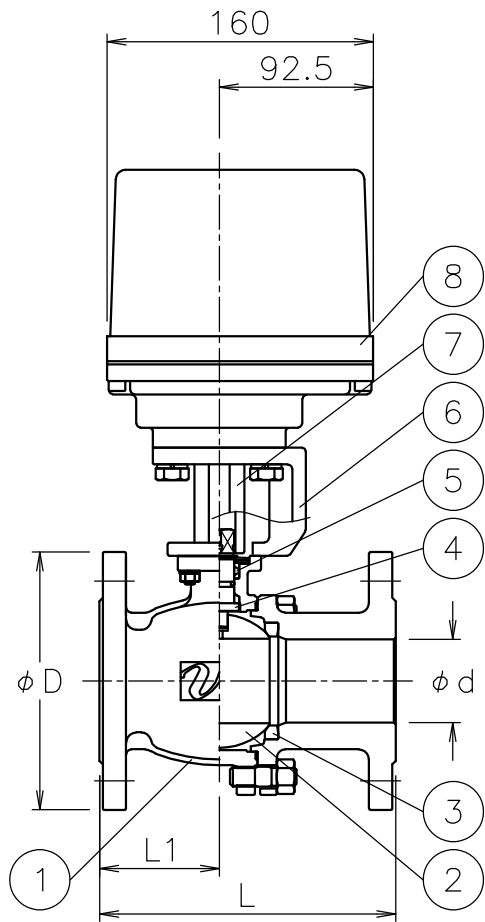



Size [mm]	d	L	L1	D	C	n-h	H	Weight [kg]	Actuator			Sizing code
15	15	108	40	95	70	4-15	274	8.3	AD1-300	AD2-300	AD0-300	0
20	20	117	48	100	75	4-15	277	8.8	AD1-300	AD2-300	AD0-300	0
25	25	127	48.5	125	90	4-19	284	11	AD1-300	AD2-300	AD0-300	0
32	32	140	60	135	100	4-19	290	12	AD1-300	AD2-300	AD0-300	0
								13	AD1-700	AD2-700	AD0-700	2
40	40	165	67.5	140	105	4-19	299	13	AD1-700	AD2-700	AD0-700	0
50	50	178	72	155	120	4-19	308	15	AD1-700	AD2-700	AD0-700	0
65	65	190	85	175	140	4-19	330	20	AD1-700	AD2-700	AD0-700	0
80	80	203	97	185	150	8-19	342	23	AD1-700	AD2-700	AD0-700	0



NOTE
ATTACHMENT
Cable gland (nylon), G 1/2, for 6φ to 12φ cable.
Plug.

8	Actuator		1	
7	Joint	SCS13A	1	
6	Bracket	SCS13A	1	
5	Packing	R-PTFE	1set	
4	Stem	SUS304	1	
3	Seat	F-PTFE	2	
2	Ball	SCS13A	1	
1	Body	SCS13A	1	
No	DESCRIPTION	MATERIALS	REQ'D	REMARKS

			APPR'D	H.F	TITLE	J10K Flanged-end BR type electric actuated ball valve					
			CHK'D	K.Y							
			DESIGN		MODEL	AD1BR**1TTF AD2BR**1TTF AD0BR0*1TTF					
			DRAWN	S.O							
MARK	DATE	BY	DATE	'20-08-07	SCALE	NON	DWG No.	BR-*1TTF-AD9-EN			
REVISIONS			 NIPPON VALVE CONTROLS, INC.								
MV-2850											