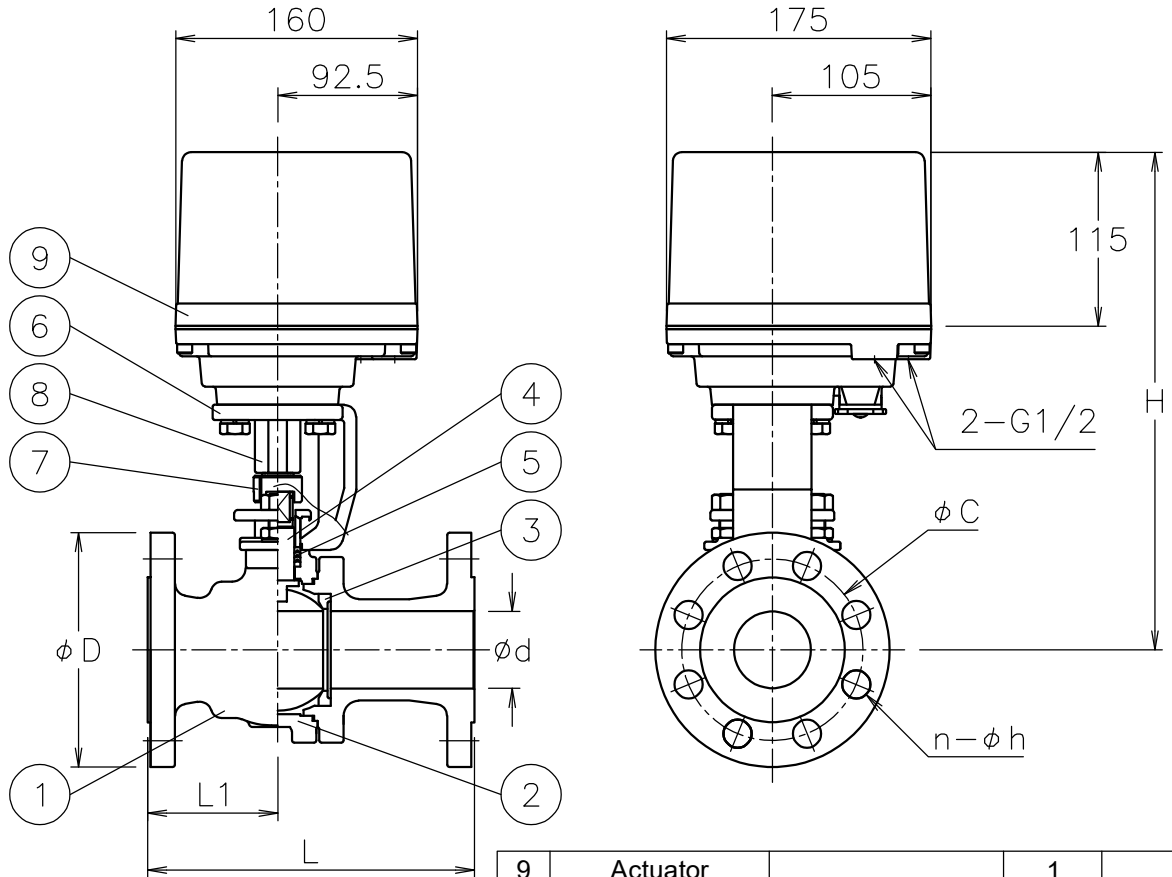


Size (mm)	d	L	L1	D	C	n-h	H	Weight (kg)	ACTUATOR			Sizing code
15 A	13	140	63	95	70	4-15	281	8.7	AD1-300	AD2-300	AD0-300	0
20 A	19	152	70	100	75	4-15	285	9.4	AD1-300	AD2-300	AD0-300	0
25 A	25	165	71	125	90	4-19	296	12	AD1-300	AD2-300	AD0-300	0
32 A	38	190	76.5	135	100	4-19	321	14	AD1-300	AD2-300	AD0-300	0
								15	AD1-700	AD2-700	AD0-700	2
40 A	38	190	76.5	140	105	4-19	321	14	AD1-300	AD2-300	AD0-300	0
								15	AD1-700	AD2-700	AD0-700	2
50 A	51	216	86	155	120	8-19	329	17	AD1-700	AD2-700	AD0-700	0
65 A	64	241	103	175	140	8-19	368	25	AD1-700	AD2-700	AD0-700	0
80 A	76	283	124	200	160	8-23	378	31	AD1-700	AD2-700	AD0-700	1




NOTE

Attachment

- Cable gland(nylon), G1/2, for $\phi 6 \sim 12$ cable
- Plug

9	Actuator		1	
8	Joint	SCS13A	1	
7	コネクタ	SUS304	1	065,080A
		SCS13A		025~050A
		S45C		015,020A
6	Bracket	SCPH2	1	
5	Packing	N-PTFE	1	
4	Stem	SUS304	1	
3	Seat	N-PTFE	2	
2	Ball	SUS304/SCS13A	1	
1	Body	SCS13A	1	
No	DESCRIPTION	MATERIALS	REQ'D	REMARKS

			APPR'D	H.F	TITLE	J20K Flanged-end BF type electric actuated ball valve					
			CHK'D	K.Y							
			DESIGN		MODEL	AD1BF**3TTT AD0BF0*3TTT AD2BF**3TTT					
			DRAWN	P.O							
MARK	DATE	BY	DATE	'21-08-05	SCALE	NON	DWG No.	BF-*3TTT-AD10-EN			
REVISIONS			 NIPPON VALVE CONTROLS, INC.								
MV-2919											